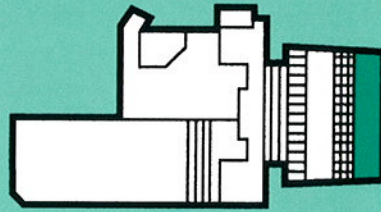
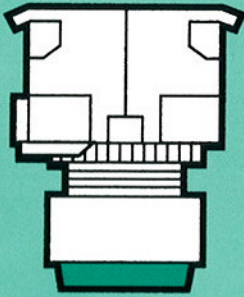


# FUJI COMMAND SWITCHES REPLACEMENT MANUAL

## R series AR22, DR22

MSA CONTROL - (11) 3961-1171 - comercial@msacontrol.com.br

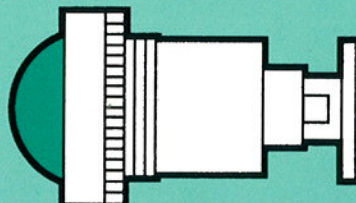
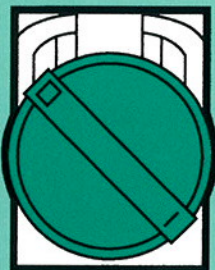
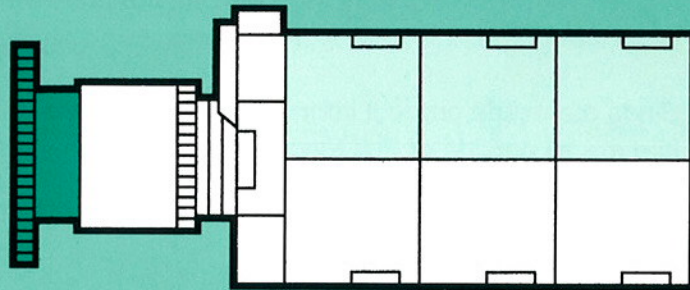


**22mm dia.**  
**7/8 inch**

**25mm dia.**  
**1 inch**

**Illuminated  
Pushbutton  
Switches**

**Pushbutton  
Switches**



**Selector  
Switches**

**Pilot  
Lights**

## **COLOR BUTTON AND CONTACT BLOCK REPLACEMENT PROCEDURE**

The procedure should be performed by an authorized Fuji distributor only. If you have any questions on this manual, please feel free to contact either FECOA (Fuji Electric Corp. of America) or Fuji Electric Co., Ltd. in Japan.

## **CATALOG DISCLAIMER**

The information contained in this catalog does not constitute an express or implied warranty of quality. Any warranty of merchantability or fitness for a particular purpose is hereby disclaimed.

Since the user's product information, specific use application, and conditions of use are all outside of Fuji Electric's control, it shall be the responsibility of the user to determine the suitability of any of the products mentioned for the user's specific application.

MSA CONTROL - (11) 3961-1171 - comercial@msacontrol.com.br

**COMPONENT PARTS**

Illuminated pushbutton switch and pushbutton switch ..... Page 4

Selector switch and pilot light ..... 5

**REPLACING OPERATOR / INDICATOR**

AR22F0L, F5L, F0P, F5P, E0L, E5L, E0P, E5P, G4L, G9L ..... 6 **1**

AR22M0L, M5L, M4L, M4P ..... 8 **2**

AR22E0M, E5M ..... 10 **3**

AR22F0R, F5R, F0Y, F5Y, E0R, E5R, G3R, G8R, E0Y, E5Y, S1R, S2R, S3R, S6R ..... 12 **4**

AR22M0R, M5R, M3R, M4R, M4Y ..... 14 **5**

AR22F0S, F5S, E0S, E5S ..... 16 **6**

AR22Q2R ..... 18 **7**

AR22PL, PP ..... 20 **8**

AR22PR, PY, WR, WY, RR, RY, PCR, PCY, WCR, WCY, RCR, RCY ..... 22 **9**

DR22D0L ..... 24 **10**

DR22E3L, E3P ..... 26 **11**

DR22F3M, E3M ..... 28 **12**

DR22F4M ..... 30 **13**

**REPLACING CONTACT BLOCKS** ..... 32 **14**

**CONTACT BLOCK ARRANGEMENT** ..... 33 **15**

MSA CONTROL - (11) 3961-1171 - comercial@msacontrol.com.br

| Type  | Replacing operator  | Replacing contact block | Contact block arrangement |
|---|---|-------------------------|---------------------------|
| <b>Illuminated pushbuttons, pushbuttons and selector switches</b> |   |                         |                           |
| <b>AR22E0L</b>  | Illuminated, extended round head                              | Page 6                  | Page 32                   |
|   |   |                         | Page 33, 35               |
| <b>AR22E0M</b>  | Illuminated, extended square head                             | 10                      | 32                        |
|   |   |                         | 33, 35                    |
| <b>AR22E0P</b>  | Illuminated, extended round head with square frame            | 6                       | 32                        |
|   |   |                         | 33, 35                    |
| <b>AR22E0R</b>  | Extended round head   | 12                      | 32                        |
|   |   |                         | 36                        |
| <b>AR22E0S</b>  | Extended square head  | 16                      | 32                        |
|   |   |                         | 36                        |
| <b>AR22E0Y</b>  | Extended round head with square frame                         | 12                      | 32                        |
|   |   |                         | 36                        |
| <b>AR22E5L</b>  | Illuminated, extended round head, alternate action            | 6                       | 32                        |
|   |   |                         | 34, 35                    |
| <b>AR22E5M</b>  | Illuminated, extended square head, alternate action           | 10                      | 32                        |
|   |   |                         | 34, 35                    |
| <b>AR22E5P</b>  | Illuminated, extended round head with square frame, alternate | 6                       | 32                        |
|   |   |                         | 34, 35                    |
| <b>AR22E5R</b>  | Extended round head, alternate action                         | 12                      | 32                        |
|   |   |                         | 37                        |
| <b>AR22E5S</b>  | Extended square head, alternate action                        | 16                      | 32                        |
|   |   |                         | 37                        |
| <b>AR22E5Y</b>  | Extended round head with square frame, alternate action       | 12                      | 32                        |
|   |   |                         | 37                        |
| <b>AR22F0L</b>  | Illuminated, flush round head                                 | 6                       | 32                        |
|   |   |                         | 33, 35                    |
| <b>AR22F0P</b>  | Illuminated, flush round head with square frame               | 6                       | 32                        |
|   |   |                         | 33, 35                    |
| <b>AR22F0R</b>  | Flush round head  | 12                      | 32                        |
|   |   |                         | 36                        |
| <b>AR22F0S</b>  | Flush square head   | 16                      | 32                        |
|   |   |                         | 36                        |
| <b>AR22F0Y</b>  | Flush round head with square frame                            | 12                      | 32                        |
|   |   |                         | 36                        |
| <b>AR22F5L</b>  | Illuminated, flush round head, alternate action               | 6                       | 32                        |
|   |   |                         | 34, 35                    |
| <b>AR22F5P</b>  | Illuminated, flush round head with square frame, alternate    | 6                       | 32                        |
|   |   |                         | 34, 35                    |
| <b>AR22F5R</b>  | Flush round head, alternate action                            | 12                      | 32                        |
|   |   |                         | 37                        |
| <b>AR22F5S</b>  | Flush square head, alternate action                           | 16                      | 32                        |
|   |   |                         | 37                        |
| <b>AR22F5Y</b>  | Flush round head with square frame, alternate action          | 12                      | 32                        |
|   |   |                         | 37                        |
| <b>AR22G4L</b>  | Illuminated, round head with guard ring                       | 6                       | 32                        |
|   |   |                         | 33, 35                    |
| <b>AR22G9L</b>  | Illuminated, round head with guard ring, alternate            | 6                       | 32                        |
|   |   |                         | 34, 35                    |
| <b>AR22G3R</b>  | Round head with guard ring                                    | 12                      | 32                        |
|   |   |                         | 36                        |
| <b>AR22G8R</b>  | Round head with guard ring, alternate action                  | 12                      | 32                        |
|   |   |                         | 37                        |
| <b>AR22JR</b>   | Cylinder key operated   | –                       | 32                        |
|   |   |                         | 38, 40                    |
| <b>AR22JY</b>   | Cylinder key operated with square frame                       | –                       | 32                        |
|   |   |                         | 38, 40                    |
| <b>AR22M0L</b>  | Illuminated, mushroom head / ø40                              | 8                       | 32                        |
|   |   |                         | 33, 35                    |
| <b>AR22M0R</b>  | Mushroom head / ø40   | 14                      | 32                        |
|   |   |                         | 36                        |
| <b>AR22M3R</b>  | Mushroom head with guard ring / ø40                           | 14                      | 32                        |
|   |   |                         | 36                        |
| <b>AR22M4L</b>  | Illuminated, mushroom head / ø29                              | 8                       | 32                        |
|   |   |                         | 33, 35                    |
| <b>AR22M4P</b>  | Illuminated, mushroom head with square frame / ø29            | 8                       | 32                        |
|   |   |                         | 33, 35                    |

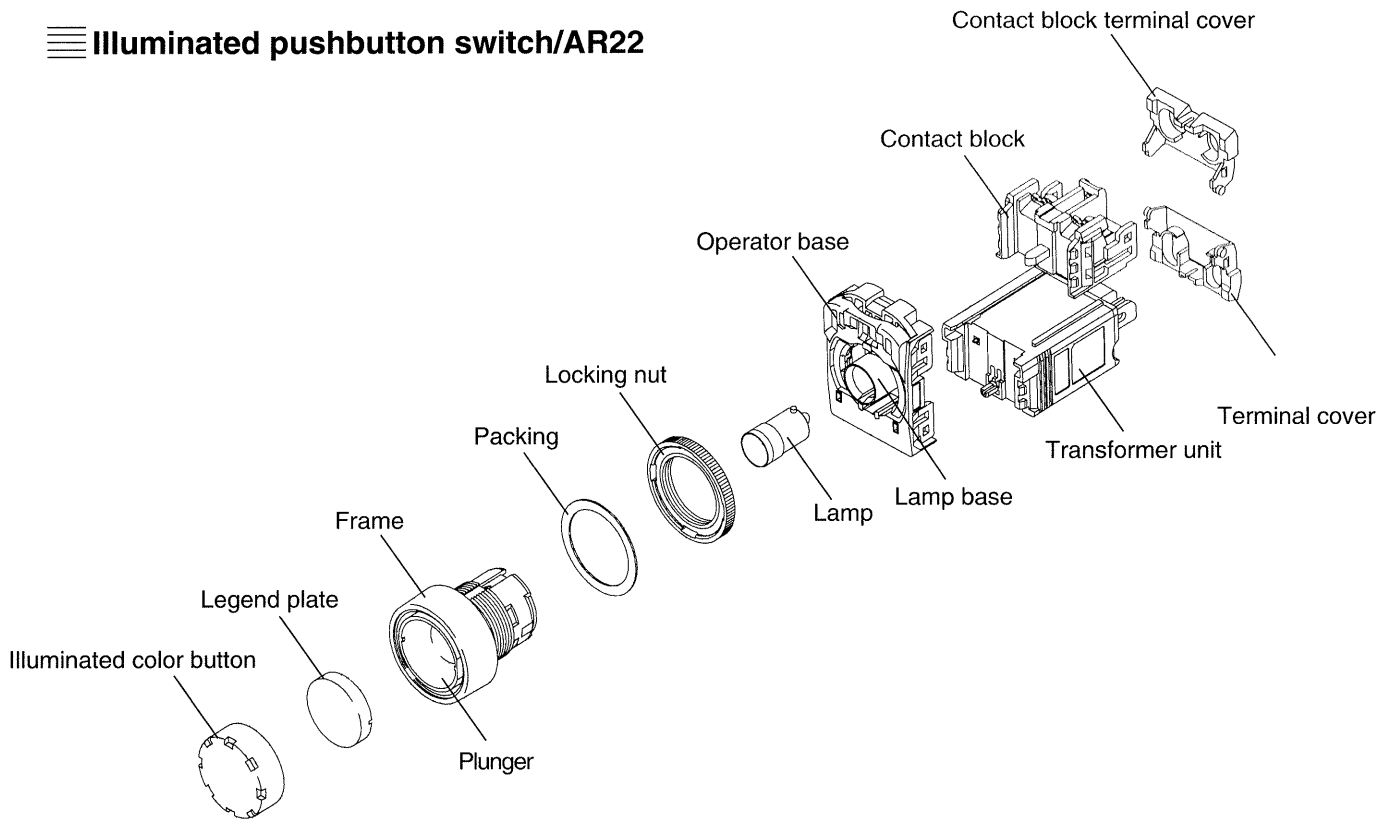


MSA CONTROL - (11) 3961-1171 - comercial@msacontrol.com.br

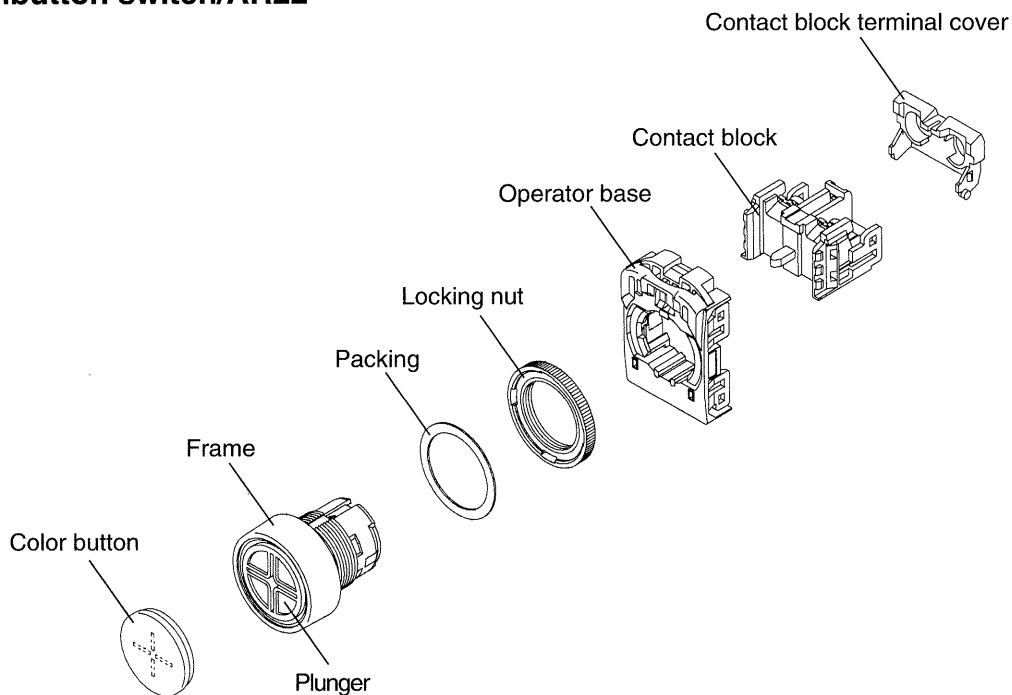
| Type  | Replacing operator / indicator | Replacing contact block | Contact block arrangement |
|---|--------------------------------|-------------------------|---------------------------|
| <b>AR22M4R</b> Mushroom head / ø29                                | Page 14                        | Page 32                 | Page 36                   |
| <b>AR22M4Y</b> Mushroom head with square frame / ø29              | 14                             | 32                      | 36                        |
| <b>AR22M5L</b> Illuminated, mushroom head / ø40, alternate action | 8                              | 32                      | 34, 35                    |
| <b>AR22M5R</b> Mushroom head / ø40, alternate action              | 14                             | 32                      | 37                        |
| <b>AR22PCR</b> Knob operated, control type                        | 22                             | –                       | –                         |
| <b>AR22PCY</b> Knob operated with square frame, control type      | 22                             | –                       | –                         |
| <b>AR22PL</b> Illuminated, knob operated                          | 20                             | 32                      | 38, 39, 40                |
| <b>AR22PP</b> Illuminated, knob operated with square frame        | 20                             | 32                      | 38, 39, 40                |
| <b>AR22PR</b> Knob operated                                       | 22                             | 32                      | 38, 40                    |
| <b>AR22PY</b> Knob operated with square frame                     | 22                             | 32                      | 38, 40                    |
| <b>AR22Q2R</b> Push-pull head for emergency stop                  | 18                             | 32                      | 37                        |
| <b>AR22RCR</b> Cylindrical knob, control type                     | 22                             | –                       | –                         |
| <b>AR22RCY</b> Cylindrical knob with square frame, control type   | 22                             | –                       | –                         |
| <b>AR22RR</b> Cylindrical knob                                    | 22                             | 32                      | 38, 40                    |
| <b>AR22RY</b> Cylindrical knob with square frame                  | 22                             | 32                      | 38, 40                    |
| <b>AR22S1R</b> Round head with selector ring, 2-position          | 12                             | 32                      | 38                        |
| <b>AR22S2R</b> Round head with selector ring, 2-position          | 12                             | 32                      | 38                        |
| <b>AR22S3R</b> Round head with selector ring, 2-position          | 12                             | 32                      | 38                        |
| <b>AR22S6R</b> Round head with selector ring, 2-position          | 12                             | 32                      | 38                        |
| <b>AR22VAL</b> Illuminated, push-lock for emergency stop          | –                              | 32                      | 34, 35                    |
| <b>AR22V2L</b> Illuminated, push-lock for emergency stop          | –                              | 32                      | 34, 35                    |
| <b>AR22V2R</b> Push-lock for emergency stop / ø40                 | –                              | 32                      | 37                        |
| <b>AR22V4R</b> Push-lock for emergency stop / ø29                 | –                              | 32                      | 37                        |
| <b>AR22WCR</b> Lever operated, control type                       | 22                             | –                       | –                         |
| <b>AR22WCY</b> Lever operated with square frame, control type     | 22                             | –                       | –                         |
| <b>AR22WR</b> Lever operated with round frame                     | 22                             | 32                      | 38, 40                    |
| <b>AR22WY</b> Lever operated with square frame                    | 22                             | 32                      | 38, 40                    |
| <b>Pilot lights</b>   |                                |                         |                           |
| <b>DR22D0L</b> Domed lens   | 24                             | –                       | –                         |
| <b>DR22E3L</b> Extended round lens                                | 26                             | –                       | –                         |
| <b>DR22E3M</b> Extended square lens                               | 28                             | –                       | –                         |
| <b>DR22E3P</b> Extended round lens with square frame              | 26                             | –                       | –                         |
| <b>DR22F3M</b> Flush square lens                                  | 28                             | –                       | –                         |
| <b>DR22F4M</b> Flush square transparent lens                      | 30                             | –                       | –                         |

MSA CONTROL - (11) 3961-1171 - comercial@msacontrol.com.br

☰ Illuminated pushbutton switch/AR22

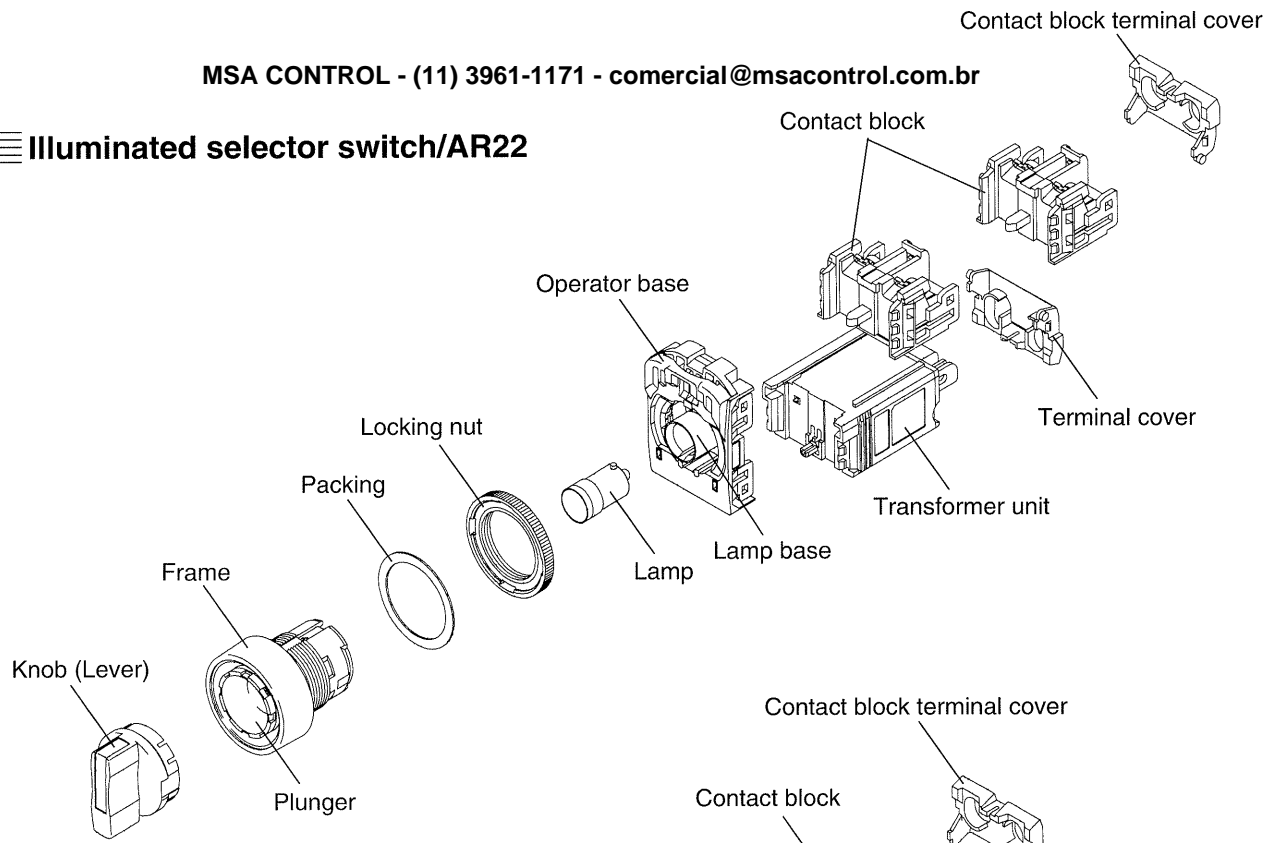


☰ Pushbutton switch/AR22

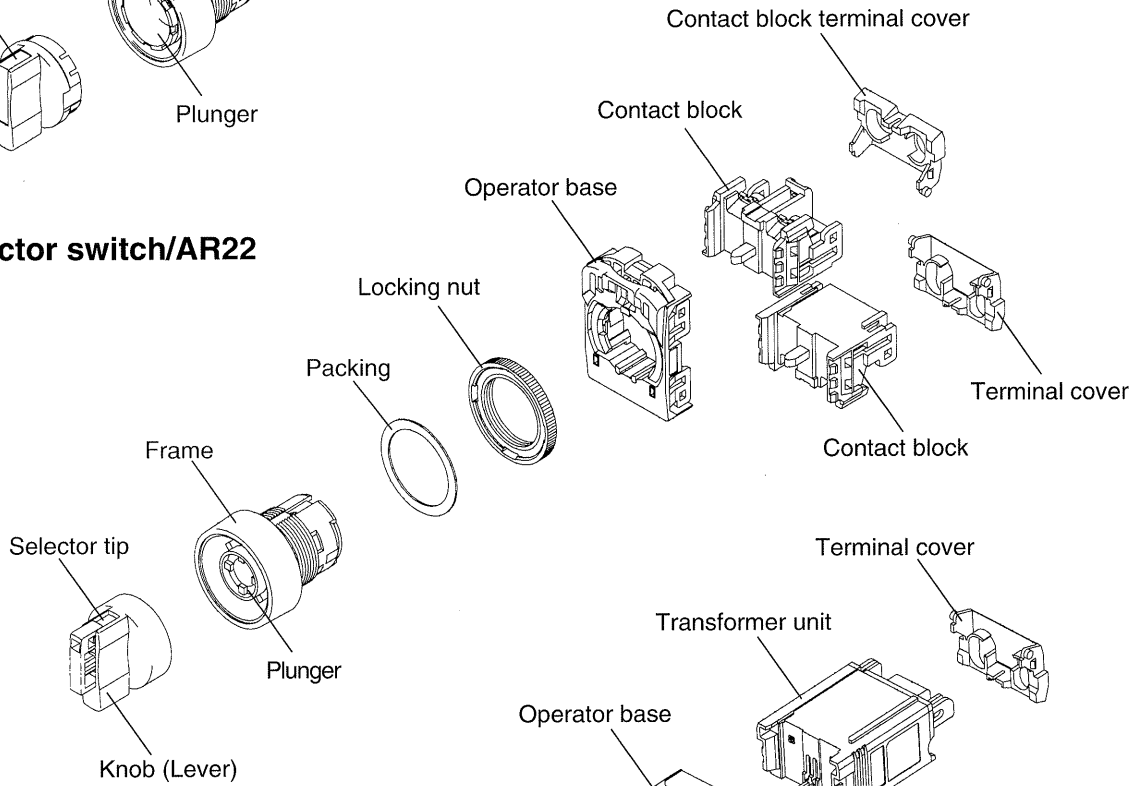


MSA CONTROL - (11) 3961-1171 - comercial@msacontrol.com.br

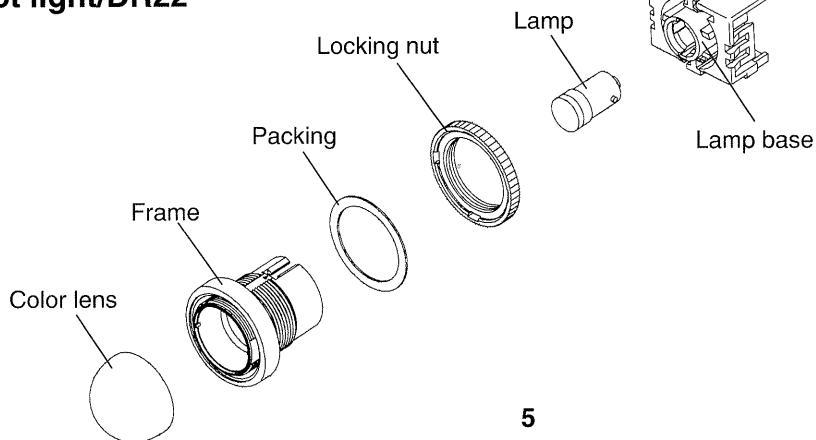
☰ **Illuminated selector switch/AR22**



☰ **Selector switch/AR22**



☰ **Pilot light/DR22**



**AR22F0L**

F5L/Alternate action

F0P

F5P/Alternate action

**AR22E0L**

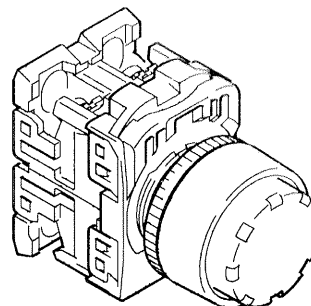
E5L/Alternate action

E0P

E5P/Alternate action

**AR22G4L**

G9L/Alternate action



| Description                   | Type(Ordering code) <i>Fill in <input type="checkbox"/> <input checked="" type="checkbox"/> with color code</i>                            | Color code   | Tool   |                |
|-------------------------------|--|--|--|----------------|
| Illuminated pushbutton switch | <b>AR22F0L</b><br><b>F5L</b><br><b>F0P</b><br><b>F5P</b>   | <b>AR22E0L</b><br><b>E5L</b><br><b>E0P</b><br><b>E5P</b><br><b>G4L</b><br><b>G9L</b> |  |                |
| Color button                  | <b>AR9C011-<input type="checkbox"/></b>  | <b>AR9C012-<input type="checkbox"/></b>  | Green <b>G</b><br>Red <b>R</b><br>Yellow <b>Y</b><br>Orange <b>A</b><br>Clear <b>C</b><br>Sky blue <b>S*</b> | <b>AR9A004</b> |
| LED lamp (BA9S/13)            | 6V AC 48mA <b>DH9L510-A■</b><br>6V DC 56mA <b>DH9L510-6■</b><br>12V AC/DC 34/28mA <b>DH9L510-B■</b><br>24V AC/DC 18/14mA <b>DH9L510-E■</b> | Yellow <b>Y</b><br>Red <b>R</b><br>Red/green <b>W</b><br>Amber <b>A</b>              | <b>AH9A790</b>   |                |
| Contact block                 | <b>AR9B290(1NO/Blue)</b><br><b>AR9B291(1NC/Red)</b>  |  | <b>AH9A321</b>   |                |

\* Color button code **S (Sky blue)** for incandescent bulb only.

#### Combination of button color and LED lamp color

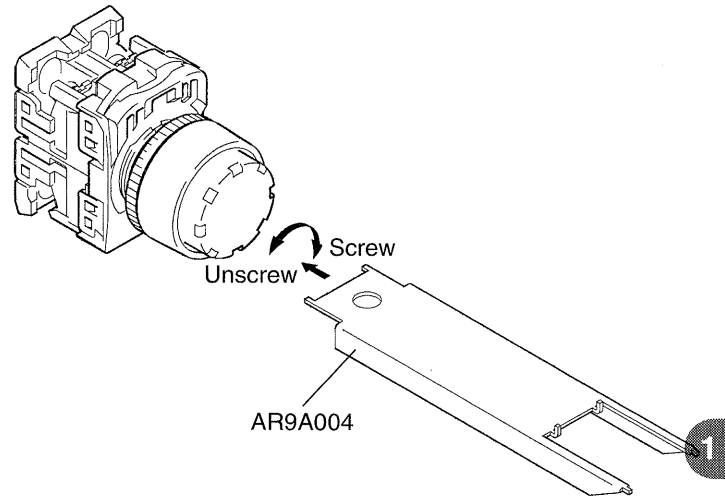
| Luminous color<br>(Type number code) | Color button <input type="checkbox"/> | LED lamp <input checked="" type="checkbox"/> |
|--------------------------------------|---------------------------------------|--|
| Green <b>G</b>                       | Green <b>G</b>                        | Yellow <b>Y</b>                              |
| Red <b>R</b>                         | Red <b>R</b>                          | Red <b>R</b>                                 |
| Yellow <b>Y</b>                      | Yellow <b>Y</b>                       | Yellow <b>Y</b>                              |
| Orange <b>A</b>                      | Orange <b>A</b>                       | Amber <b>A</b>                               |
| White <b>W</b>                       | Clear <b>C</b>                        | Red/Green <b>W</b>                           |



MSA CONTROL - (11) 3961-1171 - comercial@msacontrol.com.br

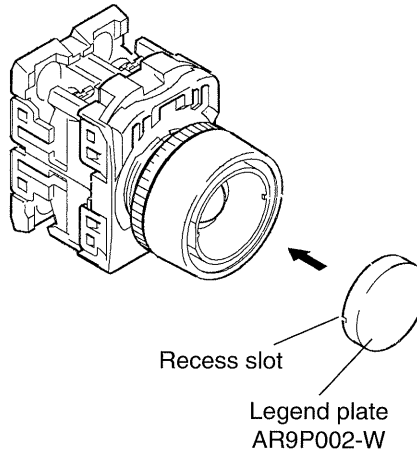
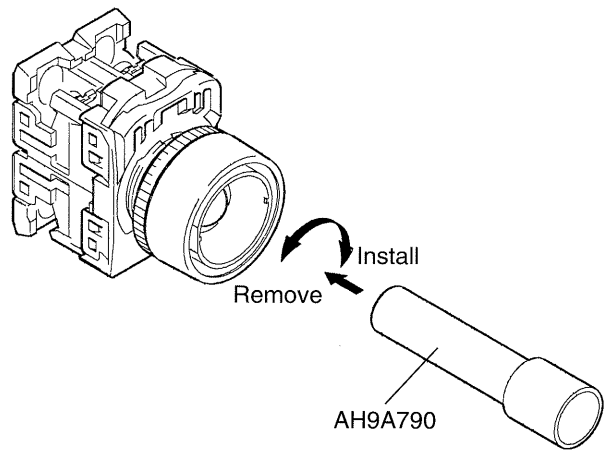
### Replacing color button

1. Select the illuminated pushbutton to be modified.
2. Insert the teeth of tool AR9A004 into the grooves of the color button.
3. Remove the color button by unscrewing counterclockwise.
4. Screw the new color button onto the plunger, turning clockwise.



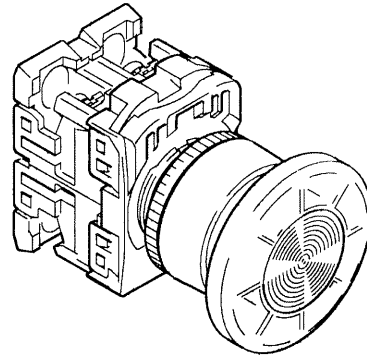
### Replacing LED lamp

1. Remove the legend plate AR9P002-W from the plunger.
2. Insert the tip of tool AH9A790 onto the LED lamp.
3. Remove the LED lamp, turning the tool counterclockwise.
4. Place the new LED lamp into the lamp base, turning the tool clockwise.
5. Put the legend plate onto the plunger, fitting its recess slot to projections of plunger.



**AR22M0L**  
M5L/Alternate action

**AR22M4L**  
M4P



| Description                   | Type(Ordering code) <i>Fill in <input type="checkbox"/> <input checked="" type="checkbox"/> with color code</i>                                | Color code  | Tool   |
|-------------------------------|--|---|--|
| Illuminated pushbutton switch | <b>AR22M0L</b><br><b>M5L</b>   | <b>AR22M4L</b><br><b>M4P</b>  |  |
| Color button                  | <b>AR9C016-<input type="checkbox"/></b>  | <b>AR9C015-<input type="checkbox"/></b>                                 | Green <b>G</b><br>Red <b>R</b><br>Yellow <b>Y</b><br>Orange <b>A</b><br>Clear <b>C</b><br>Sky blue <b>S*</b> |
| LED lamp (BA9S/13)            | 6V AC 48mA <b>DH9L510-A</b> ■<br>6V DC 56mA <b>DH9L510-6</b> ■<br>12V AC/DC 34/28mA <b>DH9L510-B</b> ■<br>24V AC/DC 18/14mA <b>DH9L510-E</b> ■ | Yellow <b>Y</b><br>Red <b>R</b><br>Red/green <b>W</b><br>Amber <b>A</b> | <b>AH9A790</b>   |
| Contact block                 | <b>AR9B290</b> (1NO/Blue)<br><b>AR9B291</b> (1NC/Red)  |   | <b>AH9A321</b>   |

\* Color button code **S (Sky blue)** for incandescent bulb only.

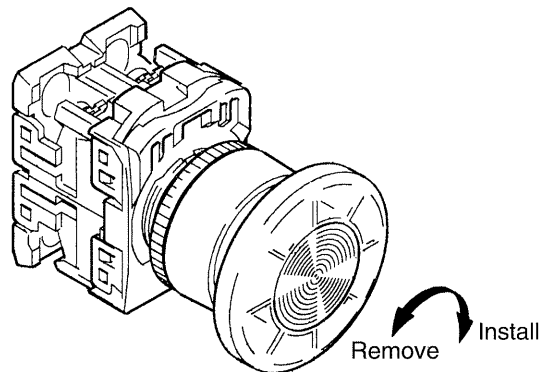
#### Combination of button color and LED lamp color

| Luminous color<br>(Type number code) | Color button <input type="checkbox"/> | LED lamp <input checked="" type="checkbox"/> |
|--------------------------------------|---------------------------------------|--|
| Green <b>G</b>                       | Green <b>G</b>                        | Yellow <b>Y</b>                              |
| Red <b>R</b>                         | Red <b>R</b>                          | Red <b>R</b>                                 |
| Yellow <b>Y</b>                      | Yellow <b>Y</b>                       | Yellow <b>Y</b>                              |
| Orange <b>A</b>                      | Orange <b>A</b>                       | Amber <b>A</b>                               |
| White <b>W</b>                       | White <b>W</b>                        | Red/Green <b>W</b>                           |

MSA CONTROL - (11) 3961-1171 - comercial@msacontrol.com.br

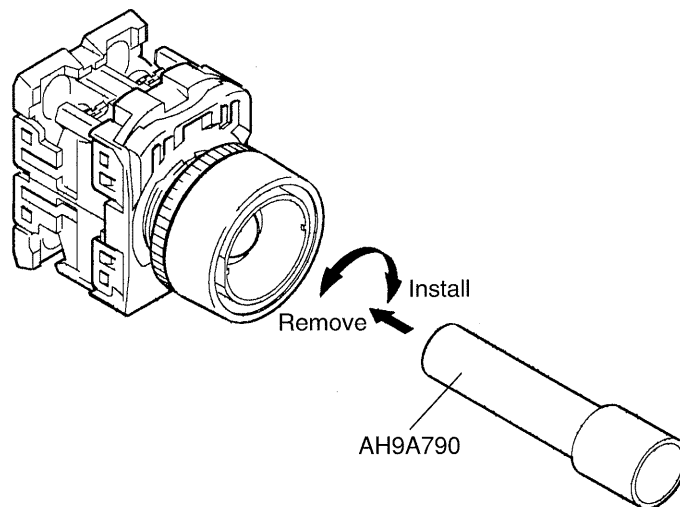
## Replacing color button

1. Select the illuminated pushbutton to be modified.
2. Remove the color button, unscrewing counterclockwise.
3. Screw the new color button onto the plunger, turning clockwise.

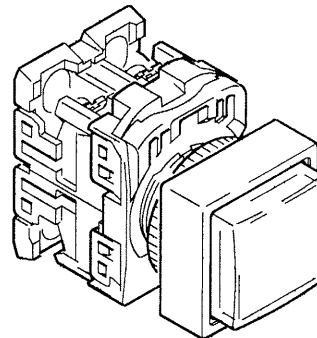


## Replacing LED lamp

1. Insert the tip of tool AH9A790 onto the LED lamp.
2. Remove the LED lamp, turning the tool counterclockwise.
3. Place the new LED lamp into the lamp base, turning the tool clockwise.



2

**AR22E0M****E5M/Alternate action**

| Description                   | Type(Ordering code) <i>Fill in <input type="checkbox"/> <input checked="" type="checkbox"/> with color code</i>                                | Color code   | Tool           |
|-------------------------------|--|--|----------------|
| Illuminated pushbutton switch | <b>AR22E0M</b><br><b>E5M</b>   |  |                |
| Color button                  | <b>AR9C014-</b> <input type="checkbox"/>   | Green <b>G</b><br>Red <b>R</b><br>Yellow <b>Y</b><br>Orange <b>A</b><br>Clear <b>C</b><br>Sky blue <b>S*</b> | Screwdriver    |
| LED lamp (BA9S/13)            | 6V AC 48mA <b>DH9L510-A</b> ■<br>6V DC 56mA <b>DH9L510-6</b> ■<br>12V AC/DC 34/28mA <b>DH9L510-B</b> ■<br>24V AC/DC 18/14mA <b>DH9L510-E</b> ■ | Yellow <b>Y</b><br>Red <b>R</b><br>Red/green <b>W</b><br>Amber <b>A</b>                                      | <b>AR9A004</b> |
| Contact block                 | <b>AR9B290</b> (1NO/Blue)<br><b>AR9B291</b> (1NC/Red)  |  | <b>AH9A321</b> |

\* Color button code **S (Sky blue)** for incandescent bulb only.

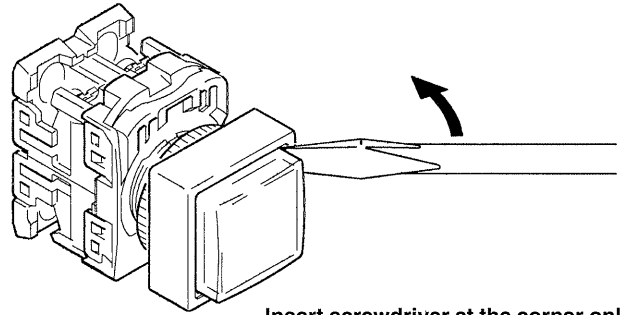
**Combination of button color and LED lamp color**

| Luminous color<br>(Type number code) | Color button <input type="checkbox"/> | LED lamp <input checked="" type="checkbox"/> |
|--------------------------------------|---------------------------------------|--|
| Green <b>G</b>                       | Green <b>G</b>                        | Yellow <b>Y</b>                              |
| Red <b>R</b>                         | Red <b>R</b>                          | Red <b>R</b>                                 |
| Yellow <b>Y</b>                      | Yellow <b>Y</b>                       | Yellow <b>Y</b>                              |
| Orange <b>A</b>                      | Orange <b>A</b>                       | Amber <b>A</b>                               |
| White <b>W</b>                       | Clear <b>C</b>                        | Red/Green <b>W</b>                           |

MSA CONTROL - (11) 3961-1171 - comercial@msacontrol.com.br

## Replacing color button

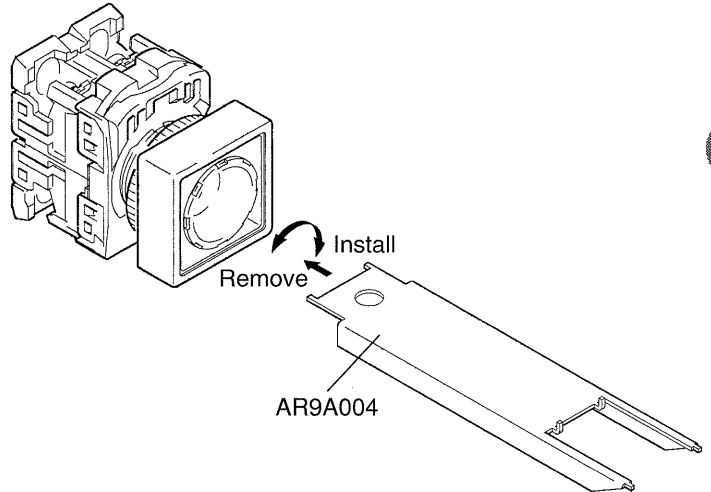
1. Select the illuminated pushbutton to be modified.
2. Insert the tip of a small screwdriver between the color button and the frame at one of four corners of color button.
3. Remove the color button, levering the screwdriver.
4. Remove the legend plate from the color button.
5. Put the legend plate into the color button.
6. Place the new color button into the frame, pressing until it clicks into place.



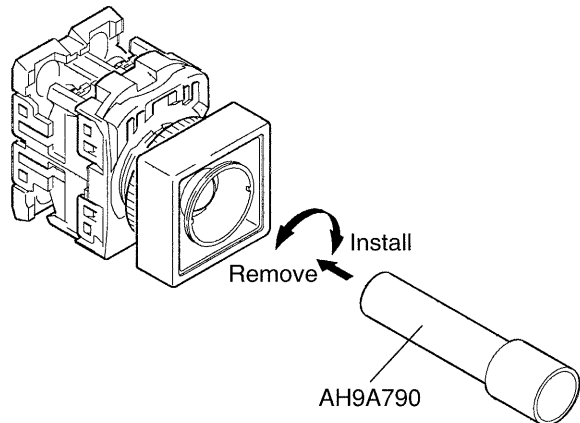
Insert screwdriver at the corner only. Otherwise the oil seal cap may be damaged.

## Replacing LED lamp

1. If the oil seal cap remains on the plunger, insert the teeth of tool AR9A004 into the grooves of the oil seal cap.
2. Remove the oil seal cap unscrewing counter-clockwise.



3. Insert the tip of tool AH9A790 onto the LED lamp.
4. Remove the LED lamp, turning the tool counterclockwise.
5. Place the new LED lamp into the lamp base, turning the tool clockwise.



3

**AR22F0R**

**F5R/Alternate action**  
**F0Y**  
**F5Y/Alternate action**

**AR22S1R/With selector ring**

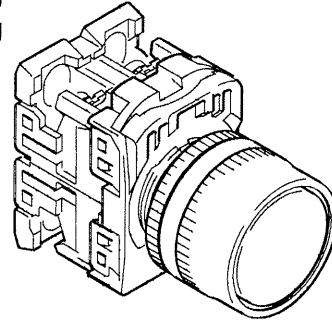
**S2R/With selector ring**  
**S3R/With selector ring**  
**S6R/With selector ring**

**AR22E0R**

**E5R/Alternate action**  
**E0Y**  
**E5Y/Alternate action**

**AR22G3R**

**G8R/Alternate action**



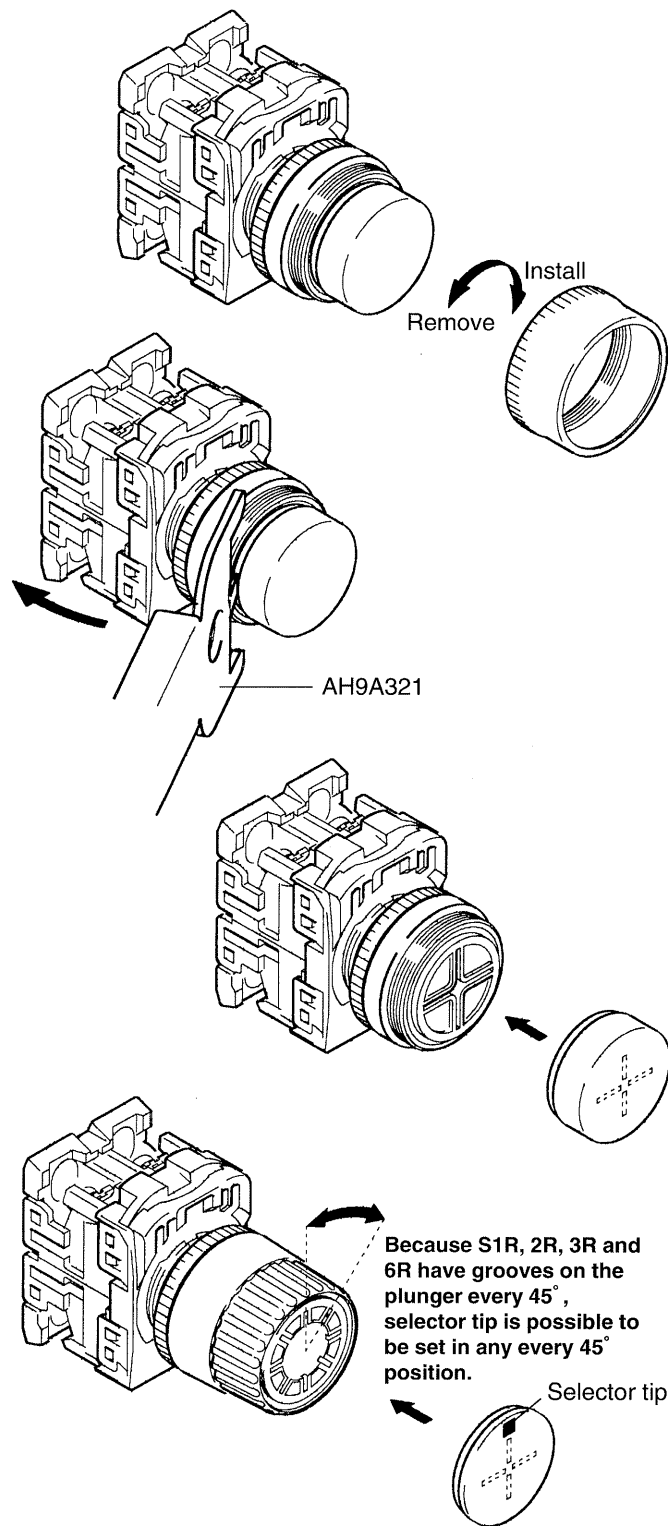
| Description       | Type(Ordering code) <i>Fill in <input type="checkbox"/> with color code</i> |  |  | Color code   | Tool   |                |
|-------------------|---|--|--|--|--|----------------|
| Pushbutton switch | <b>AR22F0R</b><br><b>F5R</b><br><b>F0Y</b><br><b>F5Y</b>                    | <b>AR22S1R</b><br><b>S2R</b><br><b>S3R</b><br><b>S6R</b> | <b>AR22E0R</b><br><b>E5R</b><br><b>E0Y</b><br><b>E5Y</b><br><b>G3R</b><br><b>G8R</b> |  |  |                |
| Color button      | <b>AR9C001-<input type="checkbox"/></b>                                     | <b>AR9C002-<input type="checkbox"/></b>                  | <b>AR9C003-<input type="checkbox"/></b>  | Green<br>Red<br>Black<br>Yellow<br>Orange<br>White<br>Sky blue | <b>G</b><br><b>R</b><br><b>B</b><br><b>Y</b><br><b>A</b><br><b>W</b><br><b>S</b> | <b>AH9A321</b> |
| Contact block     | <b>AR9B290(1NO/Blue)</b><br><b>AR9B291(1NC/Red)</b>                         |  |  |  | <b>AH9A321</b>   |                |



MSA CONTROL - (11) 3961-1171 - comercial@msacontrol.com.br

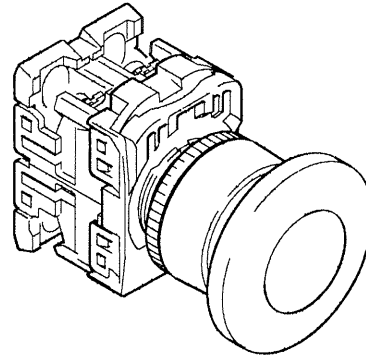
## Replacing color button

1. Select the pushbutton to be modified.
2. For AR22G3R and G8R, remove the guard ring, unscrewing counterclockwise.
3. Insert the tip of tool AH9A321 into the slot between color button and frame. Remove the color button, levering the tool.
4. Place the new color button onto the plunger, fitting its cross projections to cross grooves of the plunger.
5. For AR22G3R and G8R, install the guard ring, screwing clockwise.



**AR22M0R**  
**M5R/Alternate action**  
**M3R**

**AR22M4R**  
**M4Y**

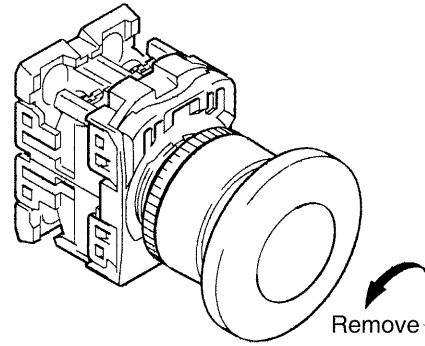


| Description       | Type(Ordering code) <i>Fill in <input type="checkbox"/> with color code</i> | Color code                              | Tool  |
|-------------------|---|---|---|
| Pushbutton switch | <b>AR22M0R</b><br><b>M5R</b><br><b>M3R</b>                                  | <b>AR22M4R</b><br><b>M4Y</b>            |   |
| Color button      | <b>AR9C007-<input type="checkbox"/></b>                                     | <b>AR9C006-<input type="checkbox"/></b> | Green <b>G</b><br>Red <b>R</b><br>Black <b>B</b><br>Yellow <b>Y</b><br>Orange <b>A</b><br>White <b>W</b><br>Sky blue <b>S</b> |
| Contact block     | <b>AR9B290(1NO/Blue)</b><br><b>AR9B291(1NC/Red)</b>                         |   | <b>AH9A321</b>  |

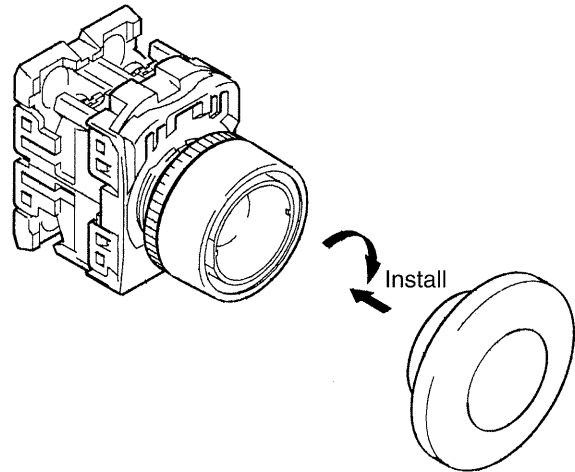
MSA CONTROL - (11) 3961-1171 - comercial@msacontrol.com.br

## Replacing color button

1. Select the pushbutton to be modified.
2. Remove the color button, unscrewing counter-clockwise.

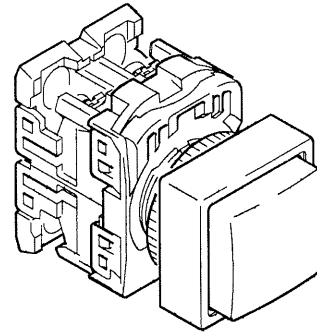


3. Place the new color button onto the plunger, screwing clockwise.



**AR22F0S**  
F5S/Alternate action

**AR22E0S**  
E5S/Alternate action

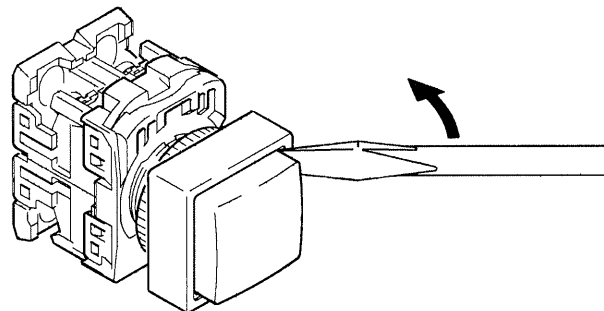


| Description       | Type(Ordering code) <i>Fill in <input type="checkbox"/> with color code</i> | Color code                              | Tool  |             |
|-------------------|---|---|---|-------------|
| Pushbutton switch | <b>AR22F0S</b><br>F5S   | <b>AR22E0S</b><br>E5S                   |   |             |
| Color button      | <b>AR9C004-<input type="checkbox"/></b>                                     | <b>AR9C005-<input type="checkbox"/></b> | Green <b>G</b><br>Red <b>R</b><br>Black <b>B</b><br>Yellow <b>Y</b><br>Orange <b>A</b><br>White <b>W</b><br>Sky blue <b>S</b> | Screwdriver |
| Contact block     | <b>AR9B290</b> (1NO/Blue)<br><b>AR9B291</b> (1NC/Red)                       |   | <b>AH9A321</b>  |             |

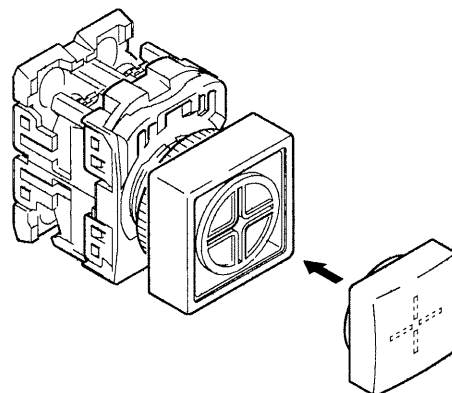
MSA CONTROL - (11) 3961-1171 - comercial@msacontrol.com.br

**Replacing color button**

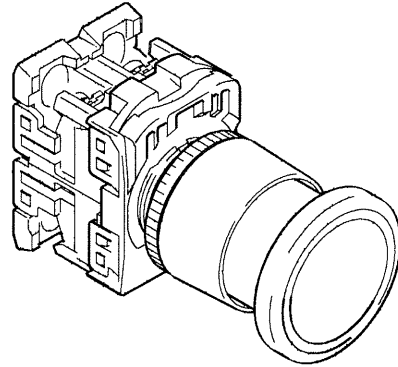
1. Select the pushbutton to be modified.
2. Insert the tip of a small screw driver between the color button and frame. Remove the color button, levering the screwdriver.



3. Put the new color button onto the plunger, fitting its cross injections to cross grooves of the plunger.



**AR22Q2R**



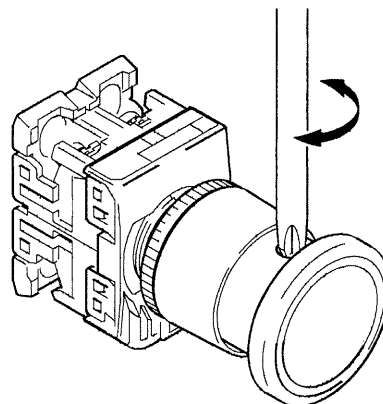
| Description                      | Type(Ordering code) <i>Fill in <input type="checkbox"/> with color code</i> | Color code  | Tool           |
|----------------------------------|---|---|----------------|
| Emergency stop pushbutton switch | <b>AR22Q2R</b>  |   |                |
| Color button                     | <b>AR9C010-<input type="checkbox"/></b>                                     | Green <b>G</b><br>Red <b>R</b><br>Black <b>B</b><br>Yellow <b>Y</b><br>Orange <b>A</b><br>White <b>W</b><br>Sky blue <b>S</b> | Screwdriver    |
| Contact block                    | <b>AR9B290(1NO/Blue)</b><br><b>AR9B291(1NC/Red)</b>                         |   | <b>AH9A321</b> |



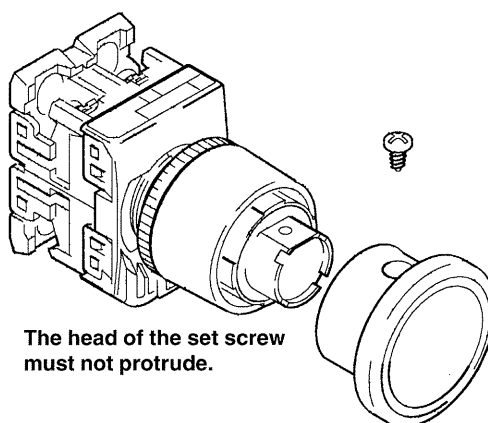
MSA CONTROL - (11) 3961-1171 - comercial@msacontrol.com.br

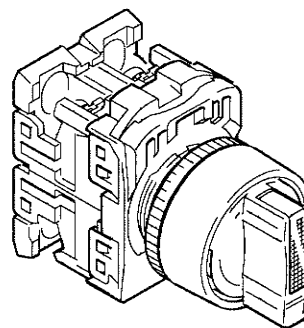
### Replacing color button

1. Select the pushbutton to be modified.
2. Loosen the set screw M3 × 6 by using a screwdriver and remove it from the plunger.



3. Pull the color button free from plunger.
4. Place the new color button on the plunger, aligning the set screw holes.
5. Reinstall the set screw M3 × 6 and tighten.



AR22PL  
PP

| Description                 | Type(Ordering code) <i>Fill in <input type="checkbox"/> <input checked="" type="checkbox"/> with color code</i>                                | Color code   | Tool           |
|-----------------------------|--|--|----------------|
| Illuminated selector switch | <b>AR22PL<br/>PP</b>   |  |                |
| Color knob                  | <b>AR9M005-<input type="checkbox"/></b>  | Green <b>G</b><br>Red <b>R</b><br>Yellow <b>Y</b><br>Orange <b>A</b><br>White <b>W</b><br>Sky blue <b>S*</b> | Screwdriver    |
| LED lamp (BA9S/13)          | 6V AC 48mA <b>DH9L510-A</b> ■<br>6V DC 56mA <b>DH9L510-6</b> ■<br>12V AC/DC 34/28mA <b>DH9L510-B</b> ■<br>24V AC/DC 18/14mA <b>DH9L510-E</b> ■ | Yellow <b>Y</b><br>Red <b>R</b><br>Red/green <b>W</b><br>Amber <b>A</b>                                      | <b>AH9A790</b> |
| Contact block               | <b>AR9B290</b> (1NO/Blue)<br><b>AR9B291</b> (1NC/Red)  |  | <b>AH9A321</b> |

\* Color knob code **S (Sky blue)** for incandescent bulb only.

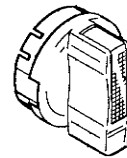
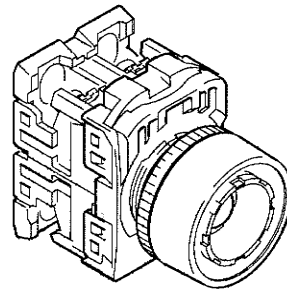
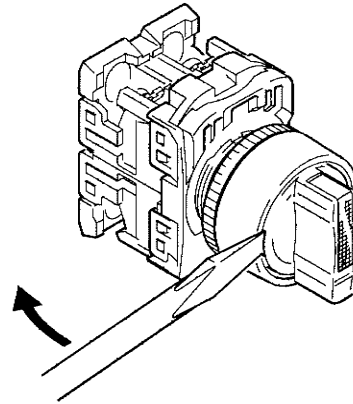
#### Combination of knob color and LED lamp color

| Luminous color<br>(Type number code) | Color knob <input type="checkbox"/> | LED lamp <input checked="" type="checkbox"/> |
|--------------------------------------|-------------------------------------|--|
| Green <b>G</b>                       | Green <b>G</b>                      | Yellow <b>Y</b>                              |
| Red <b>R</b>                         | Red <b>R</b>                        | Red <b>R</b>                                 |
| Yellow <b>Y</b>                      | Yellow <b>Y</b>                     | Yellow <b>Y</b>                              |
| Orange <b>A</b>                      | Orange <b>A</b>                     | Amber <b>A</b>                               |
| White <b>W</b>                       | White <b>W</b>                      | Red/Green <b>W</b>                           |

MSA CONTROL - (11) 3961-1171 - comercial@msacontrol.com.br

## Replacing color knob

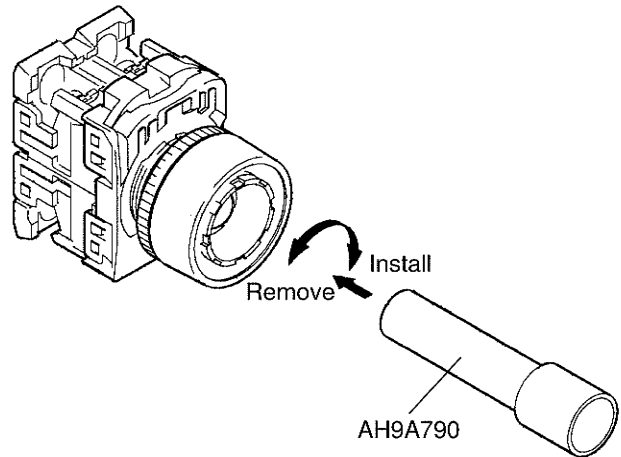
1. Select the selector switch to be modified.
2. Insert the tip of a small screwdriver into the slot between color knob and frame at one of two cutting of color knob.
3. Using leverage, remove the color knob.
4. Replace the new color knob onto the plunger, pressing until it fits into place.



Because the plunger has fitting grooves every 45°, the knob is possible to be set in any position every 45°.

## Replacing LED lamp

1. Insert the tip of tool AH9A790 onto the LED lamp.
2. Remove the LED lamp, turning the tool counterclockwise.
3. Place the new LED lamp into the lamp base, turning the tool clockwise.

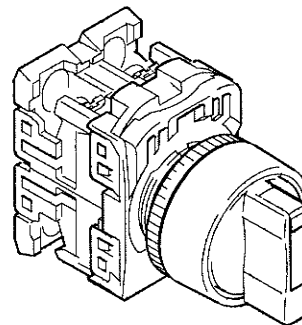


**AR22PR**  
**PCR/Control type**  
**PY**  
**PCY/Control type**

**AR22RY**  
**RCY/Control type**

**AR22WR**  
**WCR/Control type**  
**WY**  
**WCY/Control type**

**AR22RR**  
**RCR/Control type**



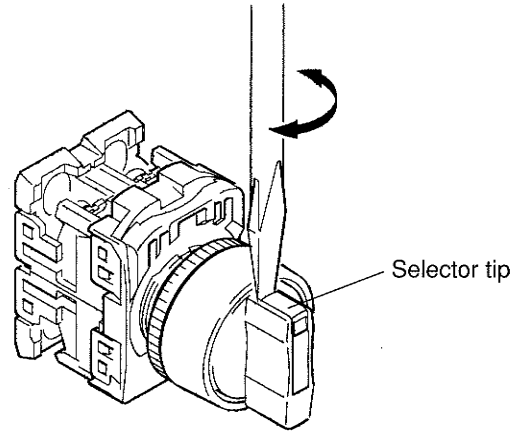
| Description        | Type(Ordering code) <i>Fill in <input type="checkbox"/> with color code</i> |   |   | Color code  | Tool           |
|--------------------|---|---|---|---|----------------|
| Selector switch    | <b>AR22PR</b><br><b>PY</b>  | <b>AR22WR</b><br><b>WY</b>              | <b>AR22RR</b><br><b>RY</b>              |   |                |
| Color knob (lever) | <b>AR9M006-<input type="checkbox"/></b>                                     | <b>AR9M007-<input type="checkbox"/></b> | <b>AR9M008-<input type="checkbox"/></b> | Black<br>Green<br>Red<br><br><b>B</b><br><b>G</b><br><b>R</b> | Screwdriver    |
| Contact block      | <b>AR9B290(1NO/Blue)</b><br><b>AR9B291(1NC/Red)</b>                         |   |   |   | <b>AH9A321</b> |

| Description                     | Type(Ordering code) <i>Fill in <input type="checkbox"/> with color code</i> |   |   | Color code  | Tool        |
|---------------------------------|---|---|---|---|-------------|
| Selector switch<br>Control type | <b>AR22PCR</b><br><b>PCY</b>  | <b>AR22WCR</b><br><b>WCY</b>            | <b>AR22RCR</b><br><b>RCY</b>            |   |             |
| Color knob (lever)              | <b>AR9M006-<input type="checkbox"/></b>                                     | <b>AR9M007-<input type="checkbox"/></b> | <b>AR9M008-<input type="checkbox"/></b> | Black<br>Green<br>Red<br><br><b>B</b><br><b>G</b><br><b>R</b> | Screwdriver |
| Contact block                   | Not available   |   |   |   |             |

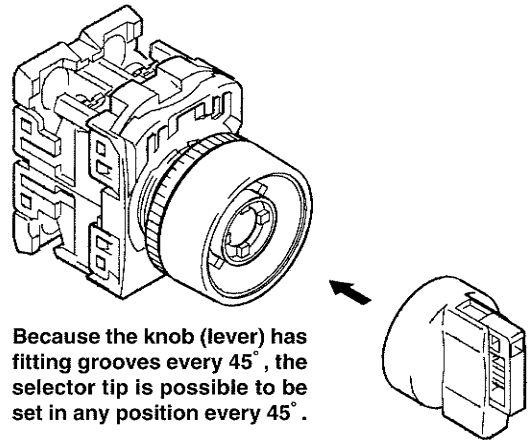
MSA CONTROL - (11) 3961-1171 - comercial@msacontrol.com.br

## Replacing color knob (lever)

1. Select the selector switch to be modified.
2. Insert the tip of a small driver into the slot between selector tip and selector knob (lever).
3. Lift the tip up by turning the screwdriver.

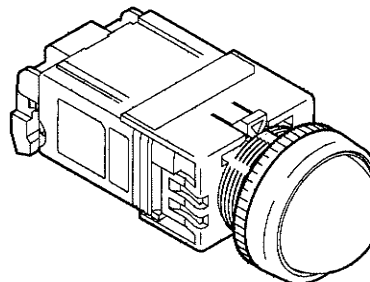


4. Pull the selector knob (lever) free from the plunger.
5. Lift the tip of the new selector knob (lever).
6. Put the selector knob (lever) onto the plunger and press the tip down until it clicks into place.



Because the knob (lever) has fitting grooves every 45°, the selector tip is possible to be set in any position every 45°.

**DR22D0L**



| Description        | Type(Ordering code) <i>Fill in <input type="checkbox"/> <input checked="" type="checkbox"/> with color code</i>                                | Color code  | Tool  |
|--------------------|--|---|---|
| Pilot light        | <b>DR22D0L</b>   |   |   |
| Color lens         | <b>DR9C001-<input type="checkbox"/></b>  | Green<br>Red<br>Yellow<br>Orange<br>White<br>Sky blue | <b>AH9A702</b><br><br><b>G</b><br><b>R</b><br><b>Y</b><br><b>A</b><br><b>W</b><br><b>S*</b> |
| LED lamp (BA9S/13) | 6V AC 48mA <b>DH9L510-A</b> ■<br>6V DC 56mA <b>DH9L510-6</b> ■<br>12V AC/DC 34/28mA <b>DH9L510-B</b> ■<br>24V AC/DC 18/14mA <b>DH9L510-E</b> ■ | Yellow<br>Red<br>Red/green<br>Amber                   | <b>AH9A790</b><br><br><b>Y</b><br><b>R</b><br><b>W</b><br><b>A</b>                          |

\* Color lens code **S (Sky blue)** for incandescent bulb only.

**Combination of color lens and LED lamp color**

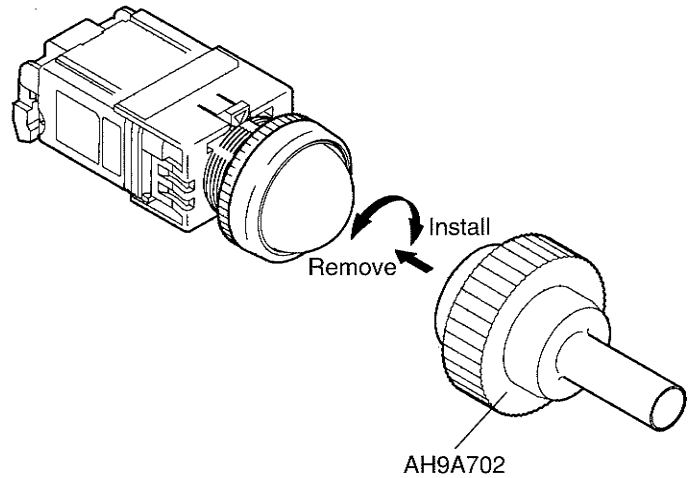
| Luminous color<br>(Type number code) | Color lens <input type="checkbox"/> | LED lamp <input checked="" type="checkbox"/> |
|--------------------------------------|-------------------------------------|--|
| Green <b>G</b>                       | Green <b>G</b>                      | Yellow <b>Y</b>                              |
| Red <b>R</b>                         | Red <b>R</b>                        | Red <b>R</b>                                 |
| Yellow <b>Y</b>                      | Yellow <b>Y</b>                     | Yellow <b>Y</b>                              |
| Orange <b>A</b>                      | Orange <b>A</b>                     | Amber <b>A</b>                               |
| White <b>W</b>                       | White <b>W</b>                      | Red/Green <b>W</b>                           |



MSA CONTROL - (11) 3961-1171 - comercial@msacontrol.com.br

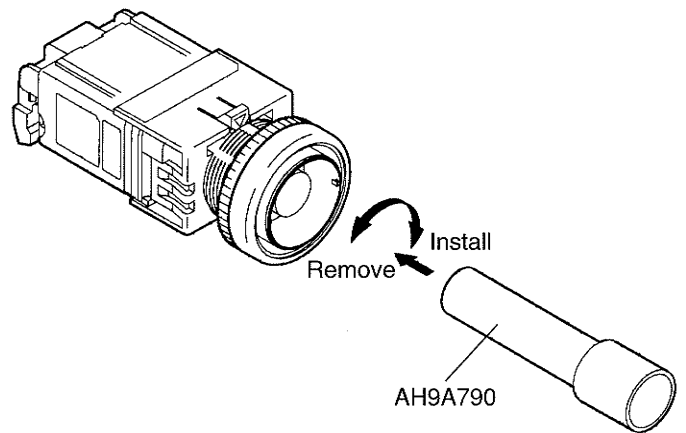
## Replacing color lens

1. Select the pilot light to be modified.
2. Remove the color domed lens unscrewing counterclockwise using the tool AH9A702.
3. Replace the new color domed lens by screwing clockwise.

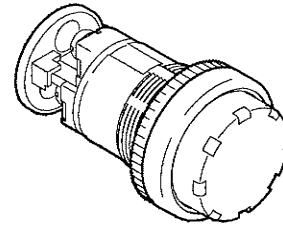


## Replacing LED lamp

1. Insert the tip of tool AH9A790 onto the LED lamp.
2. Remove the LED lamp, turning the tool counterclockwise.
3. Place the new LED lamp into the lamp base, turning the tool clockwise.



**DR22E3L  
E3P**



| Description        | Type(Ordering code) <i>Fill in <input type="checkbox"/> <input checked="" type="checkbox"/> with color code</i>                                | Color code   | Tool           |
|--------------------|--|--|----------------|
| Pilot light        | <b>DR22E3L<br/>E3P</b>   |  |                |
| Color lens         | <b>AR9C012-<input type="checkbox"/></b>  | Green <b>G</b><br>Red <b>R</b><br>Yellow <b>Y</b><br>Orange <b>A</b><br>Clear <b>C</b><br>Sky blue <b>S*</b> | <b>AR9A004</b> |
| LED lamp (BA9S/13) | 6V AC 48mA <b>DH9L510-A</b> ■<br>6V DC 56mA <b>DH9L510-6</b> ■<br>12V AC/DC 34/28mA <b>DH9L510-B</b> ■<br>24V AC/DC 18/14mA <b>DH9L510-E</b> ■ | Yellow <b>Y</b><br>Red <b>R</b><br>Red/green <b>W</b><br>Amber <b>A</b>                                      | <b>AH9A790</b> |

\* Color lens code **S (Sky blue)** for incandescent bulb only.

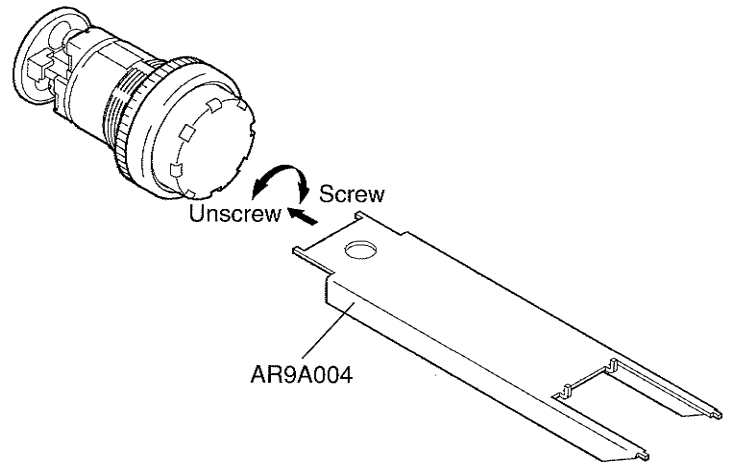
**Combination of color lens and LED lamp color**

| Luminous color<br>(Type number code) | Color lens <input type="checkbox"/> | LED lamp <input checked="" type="checkbox"/> |
|--------------------------------------|-------------------------------------|--|
| Green <b>G</b>                       | Green <b>G</b>                      | Yellow <b>Y</b>                              |
| Red <b>R</b>                         | Red <b>R</b>                        | Red <b>R</b>                                 |
| Yellow <b>Y</b>                      | Yellow <b>Y</b>                     | Yellow <b>Y</b>                              |
| Orange <b>A</b>                      | Orange <b>A</b>                     | Amber <b>A</b>                               |
| White <b>W</b>                       | Clear <b>C</b>                      | Red/Green <b>W</b>                           |

MSA CONTROL - (11) 3961-1171 - comercial@msacontrol.com.br

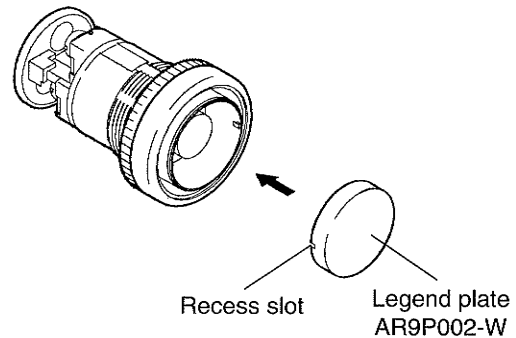
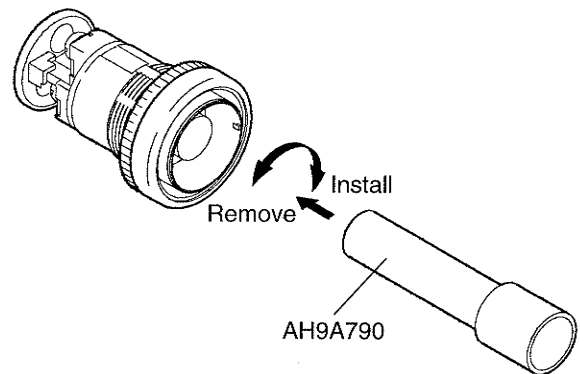
## Replacing color lens

1. Select the pilot light to be modified.
2. Insert the teeth of tool AR9A004 into the groves of color button.
3. Remove the color lens by unscrewing counterclockwise.
4. Replace the new color lens by screwing clockwise.

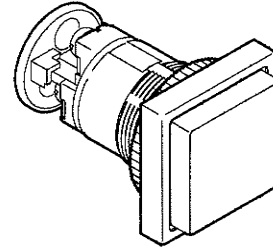


## Replacing LED lamp

1. Remove the legend plate AR9P002-W from the plunger.
2. Insert the tip of tool AH9A790 onto the LED lamp.
3. Remove the LED lamp, turning the tool counterclockwise.
4. Place the new LED lamp into the lamp base, turning the tool clockwise.
5. Place the legend plate onto the plunger, fitting its two of four recess slots to two projections of the plunger.



**DR22F3M  
E3M**



| Description        | Type(Ordering code) <i>Fill in <input type="checkbox"/> <input type="checkbox"/> with color code</i> |  | Color code   | Tool           |
|--------------------|--|--|--|----------------|
| Pilot light        | <b>DR22F3M</b>   | <b>DR22E3M</b>   |  |                |
| Color lens         | <b>DR9C126-<input type="checkbox"/></b>  | <b>AR9C014-<input type="checkbox"/></b>  | Green <b>G</b><br>Red <b>R</b><br>Yellow <b>Y</b><br>Orange <b>A</b><br>Clear <b>C</b><br>Sky blue <b>S*</b> | Screwdriver    |
| LED lamp (BA9S/13) | 6V AC 48mA<br>6V DC 56mA<br>12V AC/DC 34/28mA<br>24V AC/DC 18/14mA                                   | <b>DH9L510-A</b> ■<br><b>DH9L510-6</b> ■<br><b>DH9L510-B</b> ■<br><b>DH9L510-E</b> ■ | Yellow <b>Y</b><br>Red <b>R</b><br>Red/green <b>W</b><br>Amber <b>A</b>                                      | <b>AH9A790</b> |

\* Color lens code **S (Sky blue)** for incandescent bulb only.

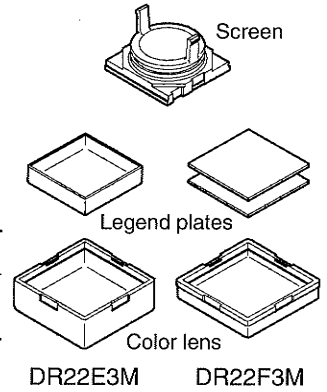
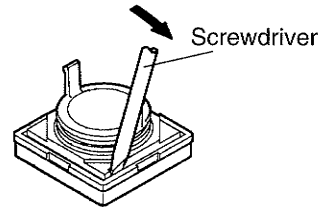
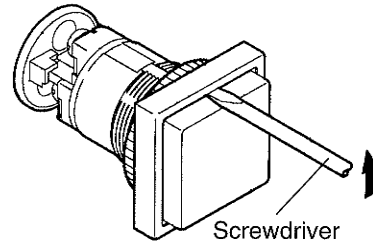
**Combination of color lens and LED lamp color**

| Luminous color<br>(Type number code) | Color lens <input type="checkbox"/> | LED lamp <input checked="" type="checkbox"/> |
|--------------------------------------|-------------------------------------|--|
| Green <b>G</b>                       | Green <b>G</b>                      | Yellow <b>Y</b>                              |
| Red <b>R</b>                         | Red <b>R</b>                        | Red <b>R</b>                                 |
| Yellow <b>Y</b>                      | Yellow <b>Y</b>                     | Yellow <b>Y</b>                              |
| Orange <b>A</b>                      | Orange <b>A</b>                     | Amber <b>A</b>                               |
| White <b>W</b>                       | Clear <b>C</b>                      | Red/Green <b>W</b>                           |

MSA CONTROL - (11) 3961-1171 - comercial@msacontrol.com.br

## Replacing color lens

1. Select the pilots light to be modified.
2. Insert the tip of a screwdriver into the slot between the color lens and the frame at one of four recess slots of the color lens.
3. Using leverage, remove the color lens.
4. The color lens with screen will be removed.
5. Put the legend plate(s) into the new color lens.
6. Fasten the screen into the color lens, pressing until it clicks into place.
7. Replace the color lens into the frame, pressing it fits into place.

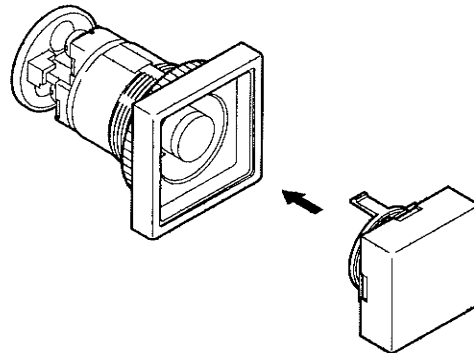
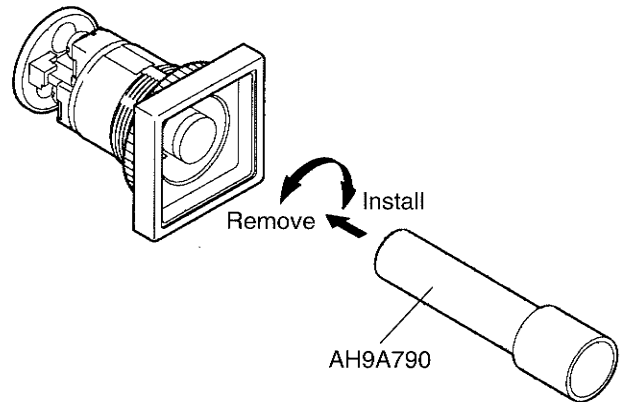


| Pilot light | Legend plate      |
|-------------|-------------------|
| DR22F3M     | DR9P241-W 2-sheet |
| DR22E3M     | AR9P003-W 1-sheet |

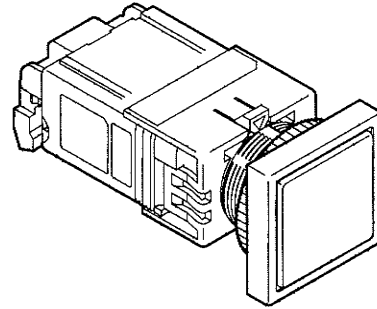
Textured surface of legend plate(s) should be facing forward.

## Replacing LED lamp

1. Insert the tip of tool AH9A790 onto the LED lamp.
2. Remove the LED lamp, turning the tool counterclockwise.
3. Place the new LED lamp into the lamp base, turning the tool clockwise.



**DR22F4M**



| Description        | Type(Ordering code) <i>Fill in <input type="checkbox"/> <input type="checkbox"/> with color code</i>   | Color code   | Tool           |
|--------------------|--|--|----------------|
| Pilot light        | <b>DR22F4M</b>   |  |                |
| Color lens         | <b>DR9C126-C</b>   | Clear <b>C</b>   | Screwdriver    |
| Color plate        | <b>DR9P241-<input type="checkbox"/></b>  | Green <b>G</b><br>Red <b>R</b><br>Yellow <b>Y</b><br>Orange <b>A</b><br>White <b>W</b><br>Sky blue <b>S*</b> |                |
| LED lamp (BA9S/13) | 6V AC 48mA <b>DH9L510-A</b> ■<br>6V DC 56mA <b>DH9L510-6</b> ■<br>12V AC/DC 34/28mA <b>DH9L510-B</b> ■<br>24V AC/DC 18/14mA <b>DH9L510-E</b> ■ | Yellow <b>Y</b><br>Red <b>R</b><br>Orange <b>O</b>   | <b>AH9A790</b> |

\* Color lens code **S (Sky blue)** for incandescent bulb only.

**Combination of color lens and LED lamp color**

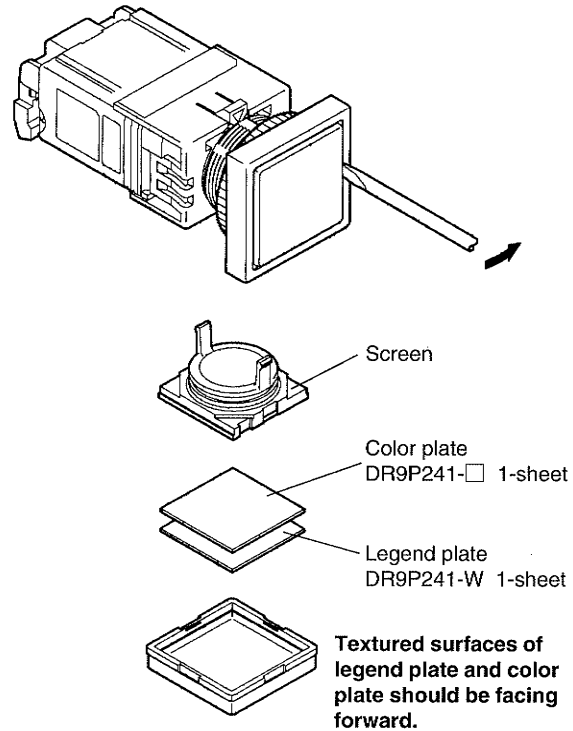
| Luminous color<br>(Type number code) | Color lens <input type="checkbox"/> | LED lamp <input checked="" type="checkbox"/> |
|--------------------------------------|-------------------------------------|--|
| Green <b>G</b>                       | Green <b>G</b>                      | Yellow <b>Y</b>                              |
| Red <b>R</b>                         | Red <b>R</b>                        | Red <b>R</b>                                 |
| Yellow <b>Y</b>                      | Yellow <b>Y</b>                     | Yellow <b>Y</b>                              |
| Orange <b>A</b>                      | Orange <b>A</b>                     | Orange <b>O</b>                              |
| White <b>W</b>                       | White <b>W</b>                      | Orange <b>O</b>                              |



MSA CONTROL - (11) 3961-1171 - comercial@msacontrol.com.br

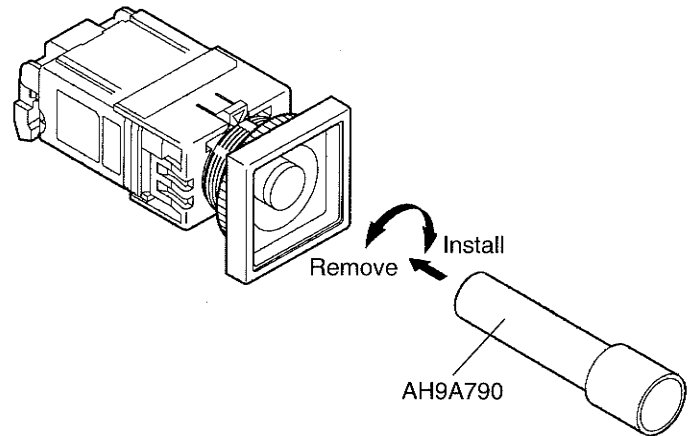
## Replacing color lens

1. Select the pilot light to be modified.
2. Insert the tip of a screwdriver into the slot between the color lens and frame at one of four recess slots of the color lens.
3. Using leverage, remove the color lens.
4. The color lens with screen will be removed.
5. Separate the screen from the color lens, levering the screwdriver.
6. Put the legend plate and color plate into the new color lens then fasten the screen until it clicks into place.
7. Replace the new color lens with screen into the frame.



## Replacing LED lamp

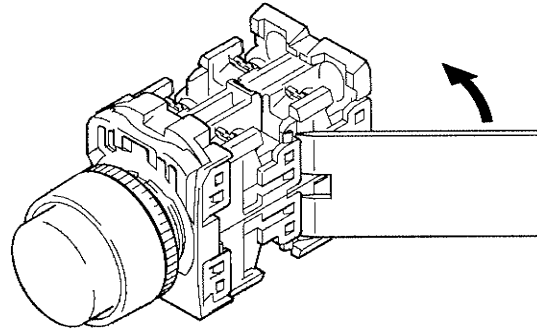
1. Insert the tip of tool AH9A790 onto the LED lamp.
2. Remove the LED lamp, turning the tool counterclockwise.
3. Place the new LED lamp into the lamp base, turning the tool clockwise.



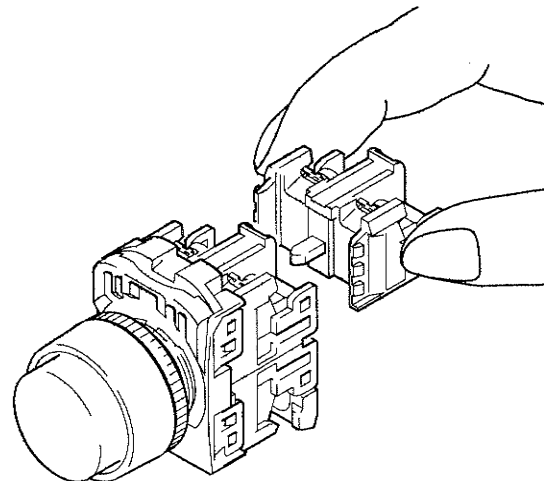
AR22E0L, E0M, E0P, E0S, E0R, E0Y  
 AR22E5L, E5M, E5P, E5S, E5R, E5Y  
 AR22F0L, F0P, F0R, F0S, F0Y  
 AR22F5L, F5P, F5R, F5S, F5Y  
 AR22G4L, G9L  
 AR22G3R, G8R  
 AR22M0L, M0R  
 AR22M3R  
 AR22M4L, M4P, M4R, M4Y

AR22M5L, M5R  
 AR22S1R, S2R, S3R, S6R  
 AR22Q2R  
 AR22PR, WR, RR, JR  
 AR22PY, WY, RY, JY  
 AR22PL, PP  
 AR22V2L, VAL  
 AR22V2R, V4R

1. Select the illuminated pushbutton, pushbutton or selector switch to be modified.
2. To detach contact block(s) with terminal cover, use tool AH9A321 to open mounting legs slightly, and remove the contact block with terminal cover.



3. Additional contact block(s) without terminal cover can be snap-fitted into the operator base. Push the contact block straight into the mounting legs of the operator base or those of contact block which has been mounted into the operator base until they click into place.
4. Complete the contact block arrangement to mount contact block(s) with terminal cover finally.



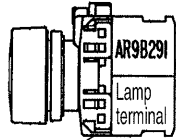
- When adding more than two contact blocks, align the slots on the both sides and make sure that the contact blocks facing each other are not open.
- To handle contact block with terminal cover, don't separate each of them. Because the terminal cover is designed not easy to separate from the contact block.

MSA CONTROL - (11) 3961-1171 - comercial@msacontrol.com.br

Illuminated pushbutton switches, without transformer  
**AR22F0L, E0L, G4L, AR22M0L, M4L, AR22F0P, E0P, M4P, AR22E0M**

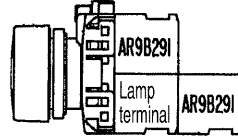
**Ordering code of contact arrangements**

**01 1NC**

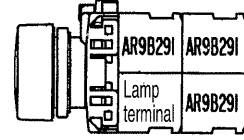


Name plate

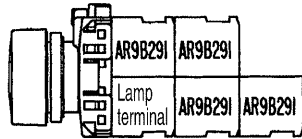
**02 2NC**



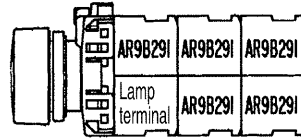
**03 3NC**



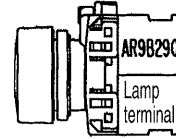
**04 4NC**



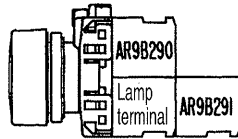
**05 5NC**



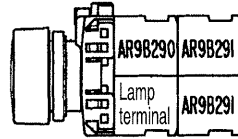
**10 1NO**



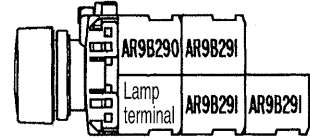
**11 1NO • 1NC**



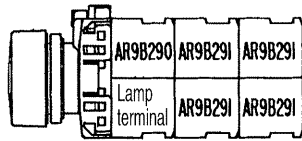
**12 1NO • 2NC**



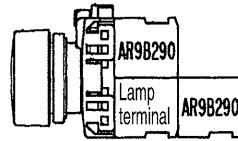
**13 1NO • 3NC**



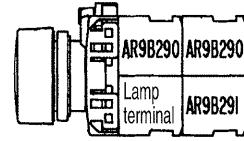
**14 1NO • 4NC**



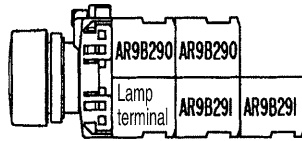
**20 2NO**



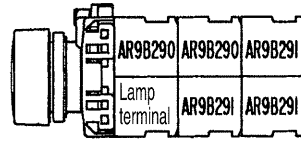
**21 2NO • 1NC**



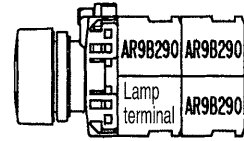
**22 2NO • 2NC**



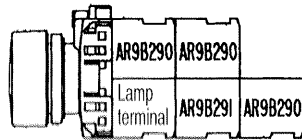
**23 2NO • 3NC**



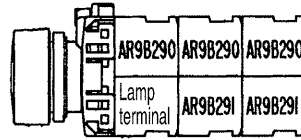
**30 3NO**



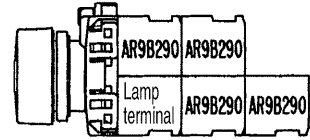
**31 3NO • 1NC**



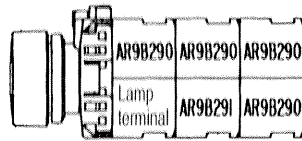
**32 3NO • 2NC**



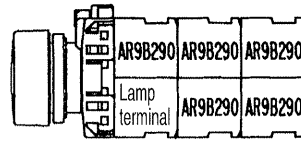
**40 4NO**



**41 4NO • 1NC**



**50 5NO**

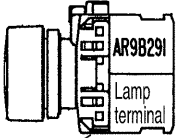


Illuminated pushbutton switches, without transformer

AR22F5L, E5L, G9L, AR22M5L, AR22F5P, E5P, AR22E5M, AR22V2L, VAL

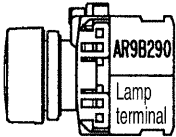
**Ordering code of contact arrangements**

**01 1NC**

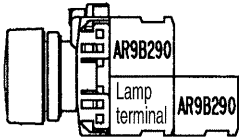


Name plate

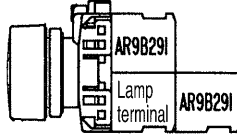
**10 1NO**



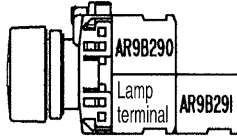
**20 2NO**



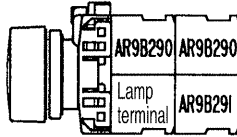
**02 2NC**



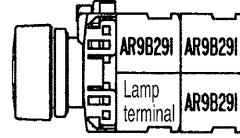
**11 1NO • 1NC**



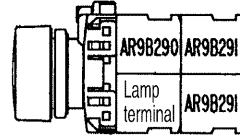
**21 2NO • 1NC**



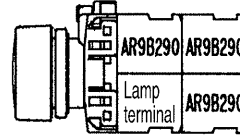
**03 3NC**



**12 1NO • 2NC**



**30 3NO**



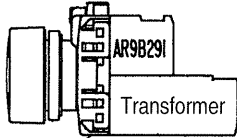
MSA CONTROL - (11) 3961-1171 - comercial@msacontrol.com.br

Illuminated pushbutton switches, with transformer

**AR22F0L, E0L, G4L, AR22M0L, M4L, AR22F0P, E0P, M4P, AR22E0M**

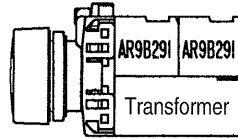
### Ordering code of contact arrangements

**01 1NC**

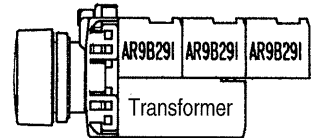


Name plate

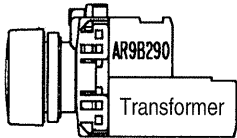
**02 2NC**



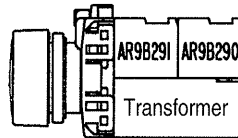
**03 3NC**



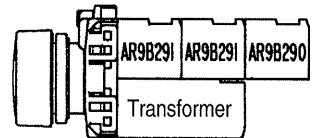
**10 1NO**



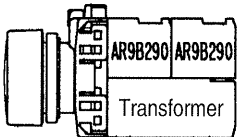
**11 1NO • 1NC**



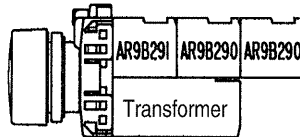
**12 1NO • 2NC**



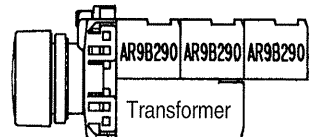
**20 2NO**



**21 2NO • 1NC**



**30 3NO**

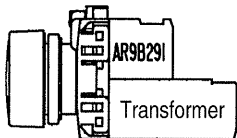


Illuminated pushbutton switches, with transformer

**AR22F5L, E5L, G9L, AR22M5L, AR22F5P, E5P, AR22E5M, AR22V2L, VAL**

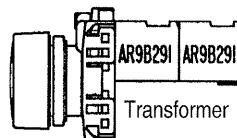
### Ordering code of contact arrangements

**01 1NC**

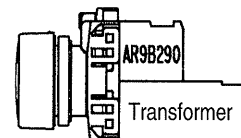


Name plate

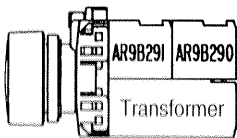
**02 2NC**



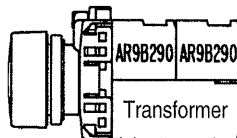
**10 1NO**



**11 1NO • 1NC**



**20 2NO**

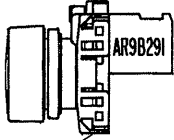


Pushbutton switches

AR22F0R, E0R, AR22G3R, AR22M0R, M3R, M4R, AR22F0Y, E0Y, M4Y, AR22F0S, E0S

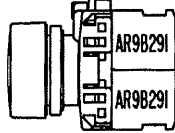
Ordering code of contact arrangements

01 1NC

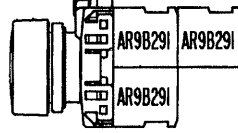


Name plate

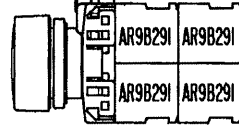
02 2NC



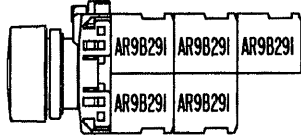
03 3NC



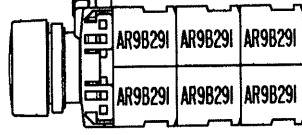
04 4NC



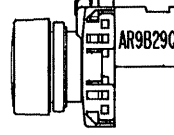
05 5NC



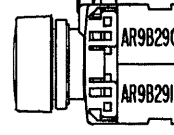
06 6NC



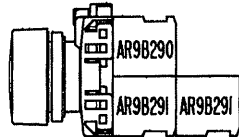
10 1NO



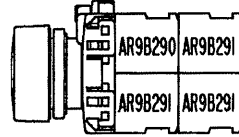
11 1NO • 1NC



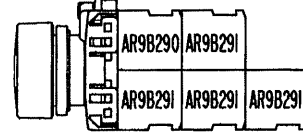
12 1NO • 2NC



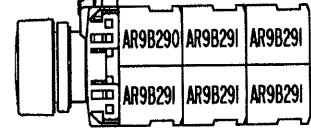
13 1NO • 3NC



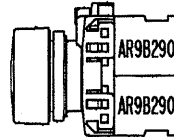
14 1NO • 4NC



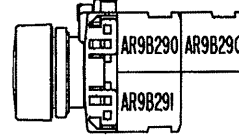
15 1NO • 5NC



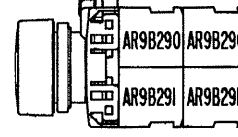
20 2NO



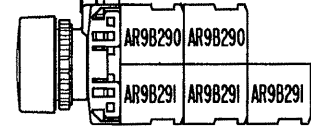
21 2NO • 1NC



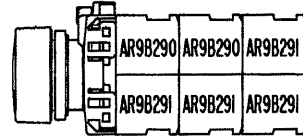
22 2NO • 2NC



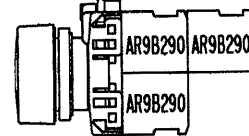
23 2NO • 3NC



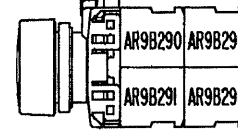
24 2NO • 4NC



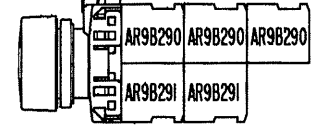
30 3NO



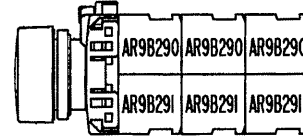
31 3NO • 1NC



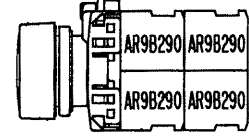
32 3NO • 2NC



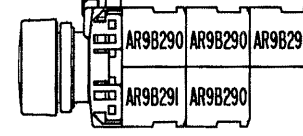
33 3NO • 3NC



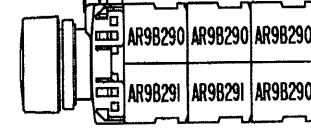
40 4NO



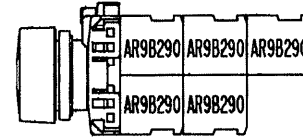
41 4NO • 1NC



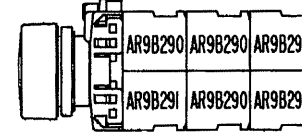
42 4NO • 2NC



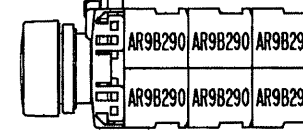
50 5NO



51 5NO • 1NC



60 6NO



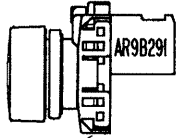
MSA CONTROL - (11) 3961-1171 - comercial@msacontrol.com.br

Pushbutton switches

AR22F5R, E5R, AR22G8R, AR22M5R, AR22F5Y, E5Y, AR22F5S, E5S, AR22V2R, V4R

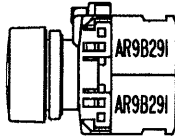
Ordering code of contact arrangements

01 1NC

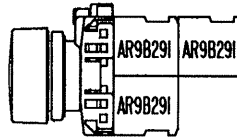


Name plate

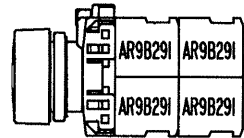
02 2NC



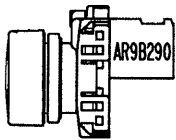
03 3NC



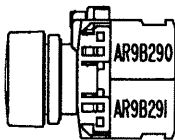
04 4NC



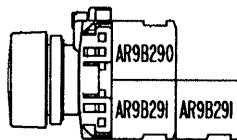
10 1NO



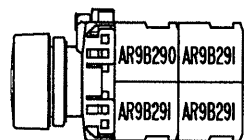
11 1NO • 1NC



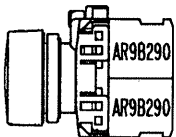
12 1NO • 2NC



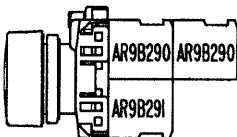
13 1NO • 3NC



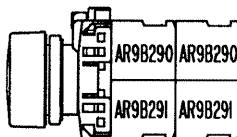
20 2NO



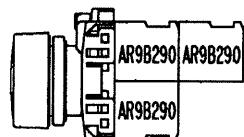
21 2NO • 1NC



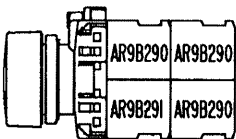
22 2NO • 2NC



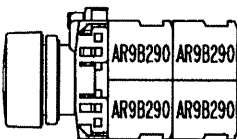
30 3NO



31 3NO • 1NC



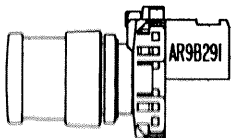
40 4NO



Emergency stop pushbutton switch  
AR22Q2R

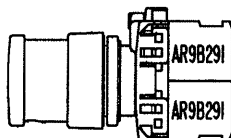
Ordering code of contact arrangements

01 1NC

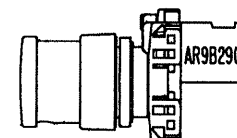


Name plate

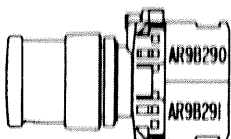
02 2NC



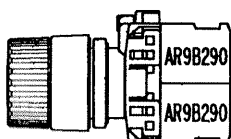
10 1NO



11 1NO • 1NC



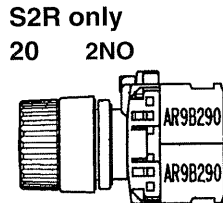
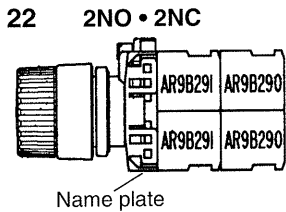
20 2NO



Pushbutton switches, with selector rings  
**AR22S1R, S2R, S3R, S6R**

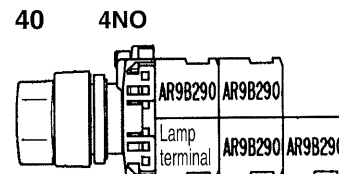
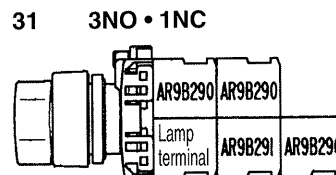
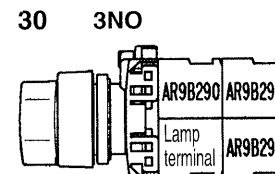
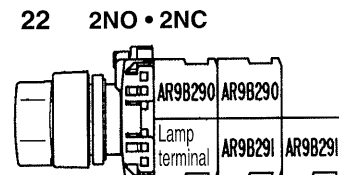
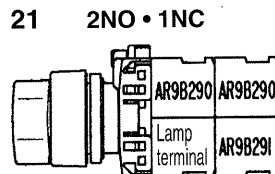
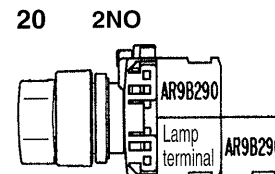
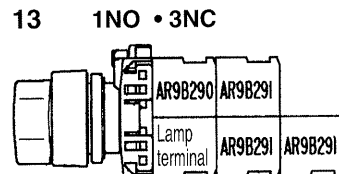
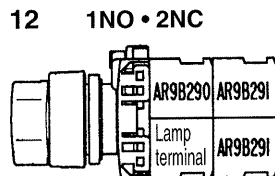
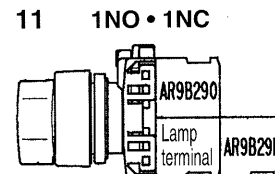
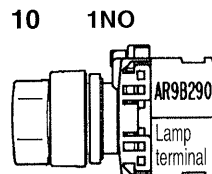
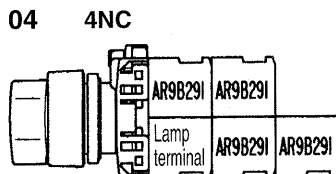
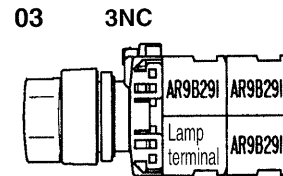
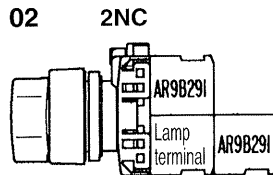
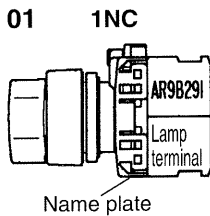
Selector switches, spring return  
**AR22PR-1, WR-1, RR-1, JR-1, PY-1, WY-1, RY-1, JY-1**

Ordering code of contact arrangements



Illuminated selector switches, maintained, without transformer  
**AR22PL-2, PL-3, AR22PP-2, PP-3**

Ordering code of contact arrangements





MSA CONTROL - (11) 3961-1171 - comercial@msacontrol.com.br

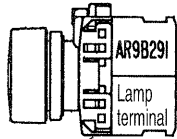
Illuminated selector switches, spring return, without transformer

AR22PL-0, AR22PP-0

Illuminated selector switches, spring/manual return, without transformer AH22PL-6, PL-7, AR22PP-6, PP-7

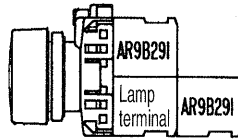
### Ordering code of contact arrangements

01 1NC

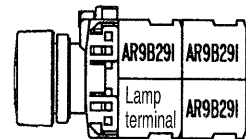


Name plate

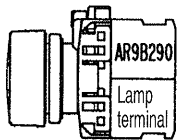
02 2NC



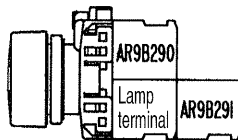
03 3NC



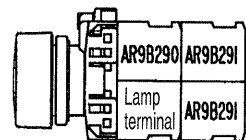
10 1NO



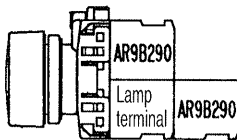
11 1NO • 1NC



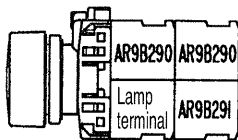
12 1NO • 2NC



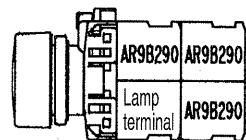
20 2NO



21 2NO • 1NC



30 3NO

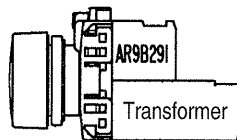


Illuminated selector switches, maintained, with transformer

AR22PL-2, PL-3, AR22PP-2, PP-3

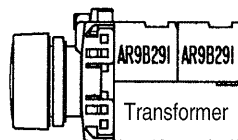
### Ordering code of contact arrangements

01 1NC

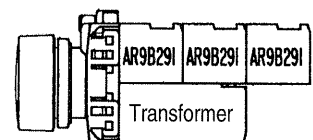


Name plate

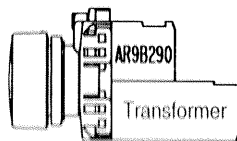
02 2NC



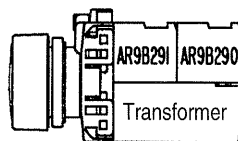
03 3NC



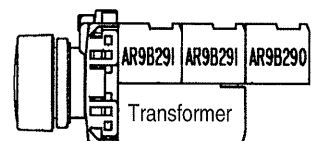
10 1NO



11 1NO • 1NC



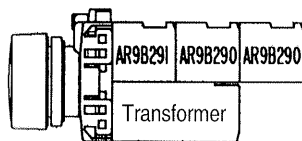
12 1NO • 2NC



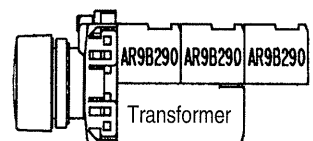
20 2NO



21 2NO • 1NC



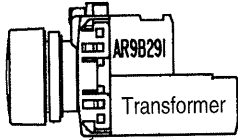
30 3NO



Illuminated selector switches, spring return, with transformer **AR22PL-0, AR22PP-0**  
 Illuminated selector switches, spring/manual return, with transformer **AH22PL-6, PL-7, AR22PP-6, PP-7**

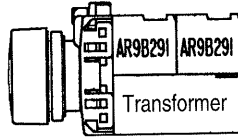
**Ordering code of contact arrangements**

**01 1NC**

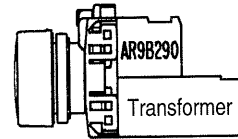


Name plate

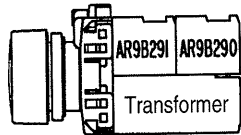
**02 2NC**



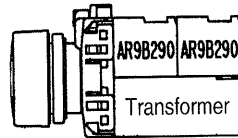
**10 1NO**



**11 1NO • 1NC**



**20 2NO**

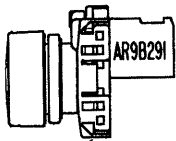


Selector switches, maintained **AR22PR-2, PR-3, WR-2, WR-3, RR-2, RR-3**  
**AR22JR-2, JR-3**  
**AR22PY-2, PY-3, WY-2, WY-3, RY-2, RY-3**  
**AR22JY-2, JY-3**

Selector switches, spring return **AR22PR-0, WR-0, RR-0, JR-0, PY-0, WY-0, RY-0, JY-0**  
 Selector switches, spring/manual return **AR22PR-6, PR-7, WR-6, WR-7, RR-6, RR-7, JR-6, JR-7**  
**AR22PY-6, PY-7, WY-6, WY-7, RY-6, RY-7, JY-6, JY-7**

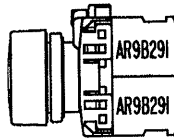
**Ordering code of contact arrangements**

**01 1NC**

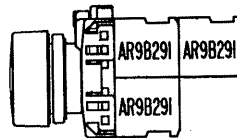


Name plate

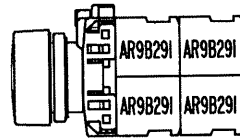
**02 2NC**



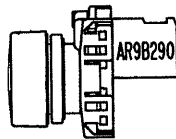
**03 3NC**



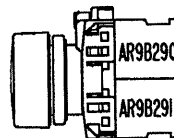
**04 4NC**



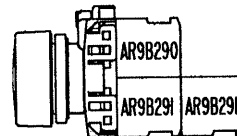
**10 1NO**



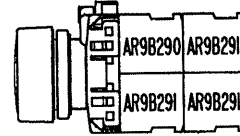
**11 1NO • 1NC**



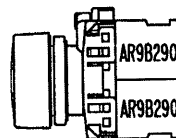
**12 1NO • 2NC**



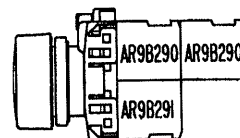
**13 1NO • 3NC**



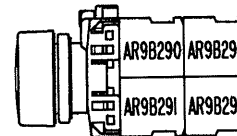
**20 2NO**



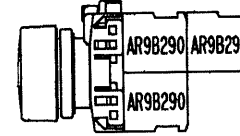
**21 2NO • 1NC**



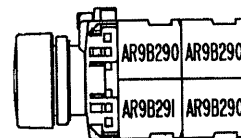
**22 2NO • 2NC**



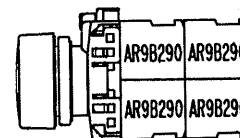
**30 3NO**



**31 3NO • 1NC**



**40 4NO**



Your local authorized stocking distributor is:

**MSA CONTROL Indústria Elétrica Ltda.**  
**MSA SYSTEM Elétrica Ltda.**

Rua Iapó 334 - Casa Verde - São Paulo - SP - CEP:02512.02

Tel/Fax: (11) 3961.1171 - [comercial@msacontrol.com.br](mailto:comercial@msacontrol.com.br)

[www.msasystemelectric.com.br](http://www.msasystemelectric.com.br) & [www.msacontrol.com.br](http://www.msacontrol.com.br)

